

Schedule 40

Model 610-PP
Hub Adaptor



Model 612-PP
Spigot Adaptor

Model 614-PP
Drain Elbow



Model 610
Tub Closure with Hub Adaptor

Model 612
Tub Closure with Spigot Adaptor, PVC only

Model 614
Tub Closure with Drain Elbow

Sturdy 1.5" Schedule 40 Fittings Solvent-Weld Assembly

SPECIFICATIONS

FEATURES:

- 1.25" deep metal strainer body
- Theft-resistant stopper
- Designed for heavy-duty use in hotels, motels, and rental property
- Replaceable, drip-proof Buna-N-Seal

APPROVALS (610/612 models):

- Manufactured in compliance with ASME A112.18.2-2005/CSA B125.2-2005

PATENTS:

- U.S. Pat. 4,720,877; 4,457,030; and 5,758,368

THREADS (Strainer Body and Drain Elbow):

- 1 1/2" – 1 1/2" NPSM (Coarse Thread)
- 1.865" Major Diameter (outside thread diameter)
- 11.5 threads per inch

PIPING: PVC ABS

Model 612 available in PVC only.



ADA

PRESFLO® (PF) and
Foot Actuated (FA) only

See price list for complete item numbers and available options.

When ordering, please specify complete item number and any applicable option codes.

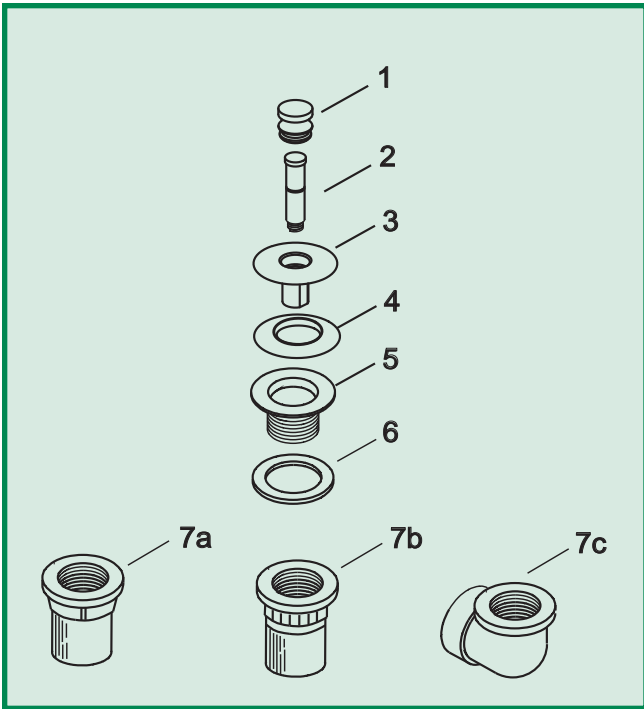


For More Information Contact:
WATCO Manufacturing Company
1220 South Powell Road
Independence, MO 64057-2724
Ph. 816-796-3900 • FAX 816-796-0875
www.watcomfg.com

Finishes Available in the 610/612/614 Series:

Tub Closures:	PUSH PULL®	LIFT & TURN	PRESFLO®	FOOT ACT.
CP - Chrome Plated	•	•	•	•
AB - Antique Brass	•	•		
AP - Aged Pewter	•	•	•	
BB - Brushed Bronze	•	•	•	
BN - Brushed Nickel	•	•	•	•
BO - Bone	•	•		
BS - Biscuit	•	•		
BZ - Oil-Rubbed Bronze	•	•	•	•
CB - Chrome Brushed	•	•	•	
NP - Nickel Polished	•	•	•	•
PB - Polished Brass	•	•	•	•
PN - Pearl Nickel	•	•	•	
WH - White	•	•		
WI - Wrought Iron	•	•	•	

610/612/614 Series Parts List



Item	Part #	Description
1.	01010CP.....	PUSH PULL® Knob, Brass
2.	11510	Friction Ring (11505) and Post (11532)
3.	01013CP.....	Stopper, Brass
4.	11507.....	Seal, 1 1/16" dia.
5.	01016CP.....	Strainer Body, 1.865" - 11.5
6.	10696	Drain Ell Washer, 1.5" gray
For the 610:		
7a.	11608.....	Hub, Schedule 40, ABS
	11607.....	Hub, Schedule 40, PVC
For the 612:		
7b.	11610.....	Spigot, Schedule 40, PVC only
For the 614:		
7c.	11008.....	Drain Ell, Schedule 40, ABS
	14008	Drain Ell, Schedule 40, PVC

OPTIONAL TUB CLOSURES FOR 610/612/614-SERIES BATH WASTES (PUSH PULL® ALSO SHOWN ABOVE)

Diagram	System Name	System Type	Part List	Patent No.
	PUSH PULL®	Coarse Thread	<ol style="list-style-type: none"> 01010CP 01010__* 11510 01013CP 01013__* 11507 01016CP 01016__* 	U.S. Pat. No. 4,720,877
	LIFT & TURN	Coarse Thread	<ol style="list-style-type: none"> 01010CP 01010__* 11079 11088 11290CP 01013__* 11507 11492CP 01016__* 	U.S. Pat. No. 5,758,368
	PRESFLO®	Coarse Thread	<ol style="list-style-type: none"> 11145CP 11145__* 11132 11060CP 11060__* 96039: Suction Cup for removing stopper 	U.S. Pat. No. 4,457,030
	FOOT ACTUATED	Coarse Thread	<ol style="list-style-type: none"> 38412CP 38412__* 11492CP 01016__* 	

***If finish other than Chrome is desired, please use this part number and indicate desired finish.**