



**T&S BRASS AND BRONZE WORKS, INC.**  
 2 Saddleback Cove / P.O. Box 1088  
 Travelers Rest, SC 29690

Model No.  
**EC-3105-LN**

Item No.

Travelers Rest, SC: 800-476-4103 • Simi Valley, CA: 800-423-0150 • Fax: 864-834-3518 • www.tsbrass.com

This Space for Architect/Engineer Approval

Job Name \_\_\_\_\_ Date \_\_\_\_\_

Model Specified \_\_\_\_\_ Quantity \_\_\_\_\_

Customer/Wholesaler \_\_\_\_\_

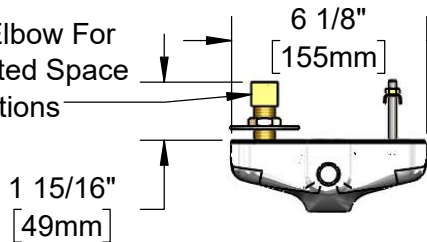
Contractor \_\_\_\_\_

Architect/Engineer \_\_\_\_\_



**ADA Compliant**

Short Elbow For  
 Restricted Space  
 Installations



1/2" NPSM x 3/8" NPSM  
 30" [762mm] Flexible  
 Stainless Steel Hose

Solid Cast Brass Body w/  
 Polish Chrome Plated Finish

24" [610mm]  
 Sensor Cable

3 5/8" x 4 3/16" x 2" Deep  
 [92mm x 106mm x 51mm]  
 Water Resistant Control Module Box (Grey)  
 w/ Internal Flow Control Setting Switches,  
 AC or DC Operated w/ (4) AA Batteries.  
 Hardwire Capable Using Terminals on Back

100-240 VAC Adapter w/  
 71" [1800mm] Power Cable.  
 (Remove Rubber Plugs on  
 Module and Cable to Connect)

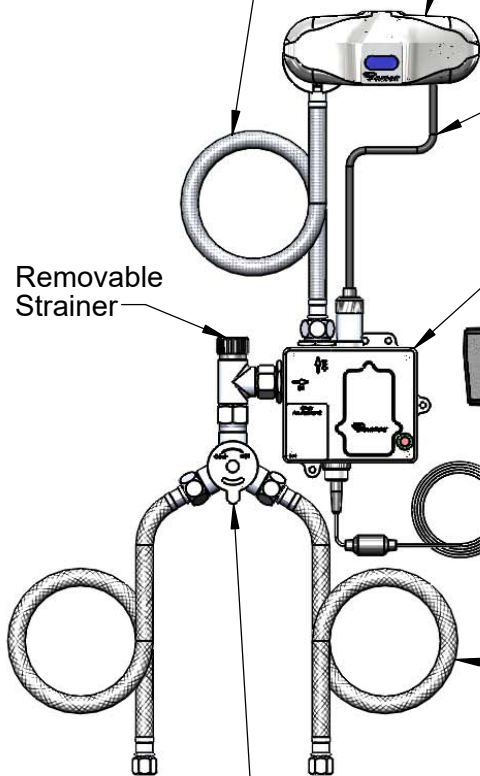
(2) 3/8" Compression x 1/2" NPSM  
 18" [457mm] Flexible Stainless Steel  
 Supply Hose

15/16"  
 [24mm]  
 Maximum  
 Thickness

Mounting  
 Surface

2 1/4"  
 [58mm]

Removable  
 Strainer



Temperature Mixing  
 Valve w/ Integral Check Valves

**Rough-In Requirement:**  
 (2) 1" [25mm] Mounting Holes on 4" [102mm] Centers

**Product Specifications:**

Chrome Plated Brass Electronic Faucet: 4" Wall Mount (Less Gooseneck and Aerator), AC/DC Control Module w/ Internal Flow Control Setting Switches, Temperature Control Mixing Valve w/ Integral Check Valves & 18" Hot & Cold Supply Stop Flexible Connector Hoses

**Product Compliance:**

ASME A112.18.1 / CSA B125.1  
 NSF 61 - Section 9  
 NSF 372 (Low Lead Content)  
 ANSI A117.1 (ADA)  
 UL 1951



# T&S BRASS AND BRONZE WORKS, INC.

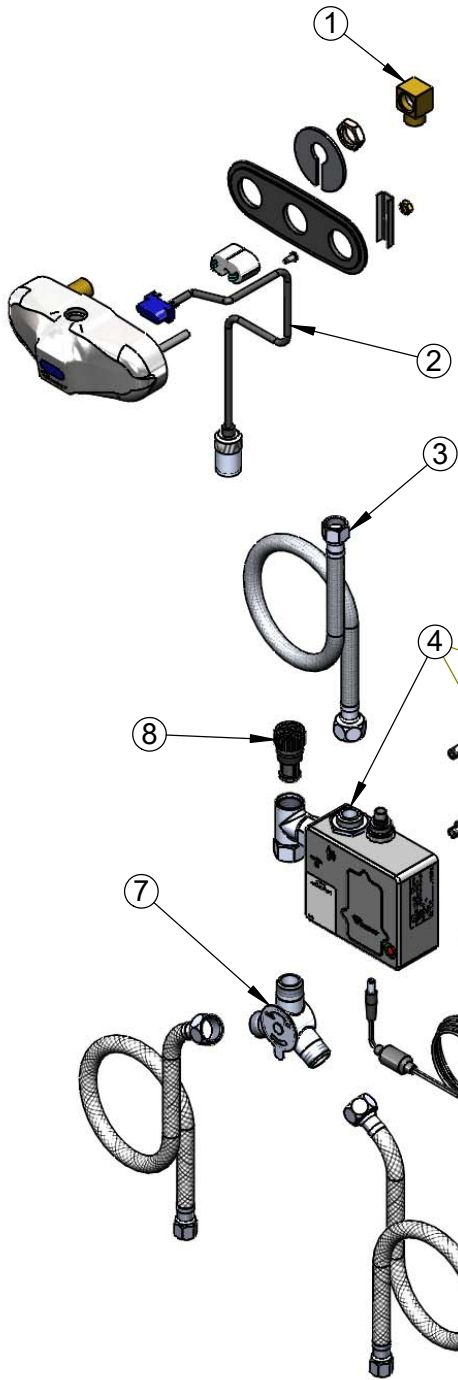
2 Saddleback Cove / P.O. Box 1088  
Travelers Rest, SC 29690

Model No.

**EC-3105-LN**

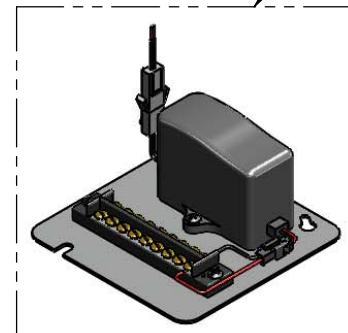
Item No.

Travelers Rest, SC: 800-476-4103 • Simi Valley, CA: 800-423-0150 • Fax: 864-834-3518 • www.tsbrass.com



ITEM NO.	SALES NO.	DESCRIPTION
1	015345-45	Low Profile Elbow, 3/8" NPSM
2	017195-45	Angled Sensor with Cable
3	016325-45	Inlet Hose, Faucet, 1/2" NPSM-F x 3/8" NPSM-F
4	016647-45	ChekPoint Control Module (Grey)
5	5EF-0002	A/C Transformer
6	5EF-0005	Supply Hose, 9/16-24 Female x 1/2" NPSM
7	5EF-0006	Mechanical Mixing Valve
8	EC-FILTER	Replacement Filter

A Maximum of (8) ChekPoint Faucets can be Hardwire Connected and Powered by EC-HARDWIRE ChekPoint Hardwire AC Transformer. (Sold Separately)



Label for Flow Control Switch Settings is Located on Inside of Back Cover.

Flow Control Switches are Located Inside Module Housing in Black Box Next to Battery Compartment.

\*Switches are Set to DEFAULT Position:

- Auto Time Out = 15 Seconds
- Shut Off Delay = 1 Second
- Auto Flush = OFF

Remove (4) Screws and Back Cover to Access Switches.

**\*Available Water Flow Control Selections:**

- Auto Time Out: 15 sec, 30 sec, 45 sec, 60 sec, 3 min, 20 min
- Shut Off Delay: 1 sec, 10 sec, 15 sec, 30 sec
- Auto Flush (30 Seconds After Every 12 Inactive Hours): ON or OFF

**Product Specifications:**

Chrome Plated Brass Electronic Faucet: 4" Wall Mount (Less Gooseneck and Aerator), AC/DC Control Module w/ Internal Flow Control Setting Switches, Temperature Control Mixing Valve w/ Integral Check Valves & 18" Hot & Cold Supply Stop Flexible Connector Hoses

**Product Compliance:**

ASME A112.18.1 / CSA B125.1  
NSF 61 - Section 9  
NSF 372 (Low Lead Content)  
ANSI A117.1 (ADA)  
UL 1951