



T&S BRASS AND BRONZE WORKS, INC.

2 Saddleback Cove / P.O. Box 1088
Travelers Rest, SC 29690

Model No.

EC-3102

Item No.

Travelers Rest, SC: 800-476-4103 • Simi Valley, CA: 800-423-0150 • Fax: 864-834-3518 • www.tsbrass.com



ADA Compliant



This Space for Architect/Engineer Approval

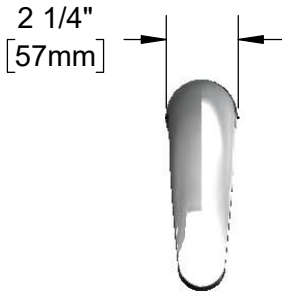
Job Name _____ Date _____

Model Specified _____ Quantity _____

Customer/Wholesaler _____

Contractor _____

Architect/Engineer _____



Solid Cast Brass Spout w/
Polish Chrome Plated Finish
and 2.2 GPM [8.3L/min]
Vandal Resistant Aerator

24" [610mm]
Sensor Cable

Removable
Strainer

Mounting
Surface

3 5/8" x 4 3/16" x 2" Deep
[92mm x 106mm x 51mm]
Water Resistant Control Module Box (Grey)
w/ Internal Flow Control Setting Switches,
AC or DC Operated w/ (4) AA Batteries.
Hardwire Capable Using Terminals on Back

4 7/8"
[123mm]

4 1/16"
[104mm]

5 1/16"
[129mm]

Ø 1/8" [3mm]
Anti-Rotation
Pin. Remove
Pin if Desired.
(See Mounting
Hole Detail)

2 1/4"
[57mm]
Maximum
Thickness

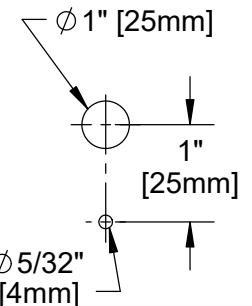
1/2" NPSM x 1/4" NPSM
18" [457mm] Flexible
Stainless Steel Hose

100-240 VAC Adapter
w/ 71" [1800mm] Power
Cord. (Remove Rubber
Plugs on Module and
Cable to Connect)

(2) 3/8" Compression x 1/2" NPSM
18" [457mm] Flexible Stainless Steel
Supply Hose

Temperature Mixing Valve
w/ Check Valves

Mounting Hole
Detail



Product Specifications:

Chrome Plated Brass Electronic Faucet: Single Hole Deck Mt. Spout w/ 2.2 GPM VR Aerator, AC/DC Control Module w/ Internal Flow Cont. Setting Switches, Temperature Cont. Mixing Valve w/ Check Valves, 18" Hot & Cold Supply Stop Flexible Connector Hoses

Product Compliance:

ASME A112.18.1 / CSA B125.1
NSF 61 - Section 9
NSF 372 (Low Lead Content)
ANSI A117.1 (ADA)
UL 1951



T&S BRASS AND BRONZE WORKS, INC.

2 Saddleback Cove / P.O. Box 1088
Travelers Rest, SC 29690

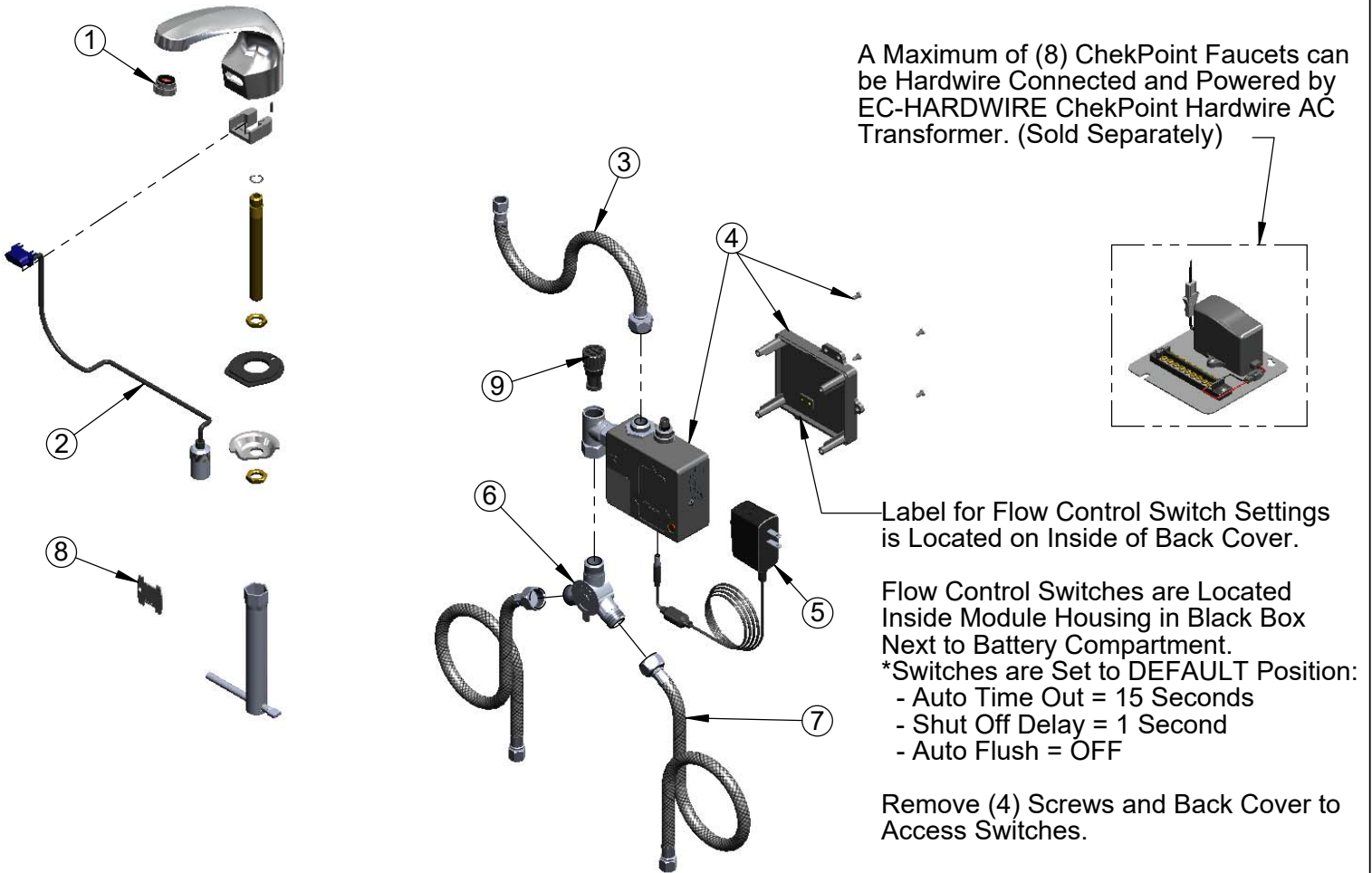
Model No.

EC-3102

Item No.

Travelers Rest, SC: 800-476-4103 • Simi Valley, CA: 800-423-0150 • Fax: 864-834-3518 • www.tsbrass.com

ITEM NO.	SALES NO.	DESCRIPTION
1	B-0199-08	VR 2.2 GPM Aerator, 13/16-27 UN Male w/ Key
2	017195-45	Angled Sensor w/ Cable
3	016297-45	Inlet Hose, Faucet, 1/2" NPSM-F x 1/4" NPSM-F
4	016647-45	ChekPoint Module (Grey)
5	5EF-0002	Plug-In AC Transformer
6	5EF-0006	Mechanical Mixing Valve
7	5EF-0005	Supply Hose, 9/16-24 Female x 1/2" NPSM
8	015425-45	Vandal Resistant Key
9	EC-FILTER	Replacement Filter



***Available Water Flow Control Selections:**

- Auto Time Out: 15 sec, 30 sec, 45 sec, 60 sec, 3 min, 20 min
- Shut Off Delay: 1 sec, 10 sec, 15 sec, 30 sec
- Auto Flush (30 Seconds After Every 12 Inactive Hours): ON or OFF

Product Specifications:

Chrome Plated Brass Electronic Faucet: Single Hole Deck Mt. Spout w/ 2.2 GPM VR Aerator, AC/DC Control Module w/ Internal Flow Cont. Setting Switches, Temperature Cont. Mixing Valve w/ Check Valves, 18" Hot & Cold Supply Stop Flexible Connector Hoses

Product Compliance:

ASME A112.18.1 / CSA B125.1
NSF 61 - Section 9
NSF 372 (Low Lead Content)
ANSI A117.1 (ADA)
UL 1951