



**T&S BRASS AND BRONZE WORKS, INC.**  
 2 Saddleback Cove / P.O. Box 1088  
 Travelers Rest, SC 29690

Model No.  
**B-2991-PWH4**

Item No.

Travelers Rest, SC: 800-476-4103 • Simi Valley, CA: 800-423-0150 • Fax: 864-834-3518 • www.tsbrass.com



**ADA Compliant**

This Space for Architect/Engineer Approval

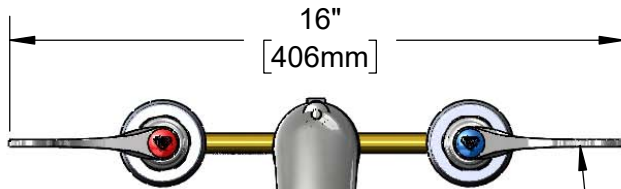
Job Name \_\_\_\_\_ Date \_\_\_\_\_

Model Specified \_\_\_\_\_ Quantity \_\_\_\_\_

Customer/Wholesaler \_\_\_\_\_

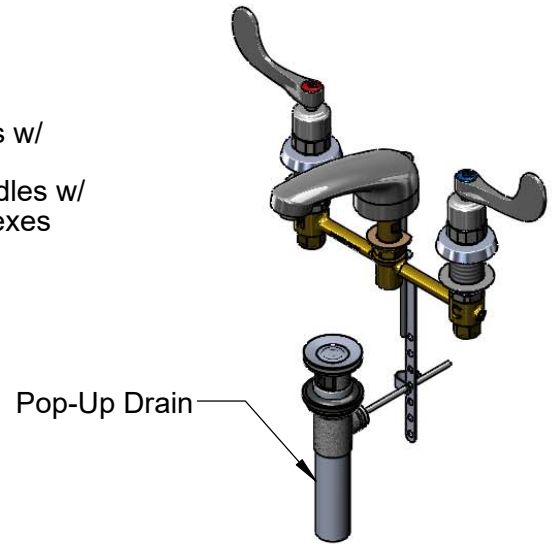
Contractor \_\_\_\_\_

Architect/Engineer \_\_\_\_\_

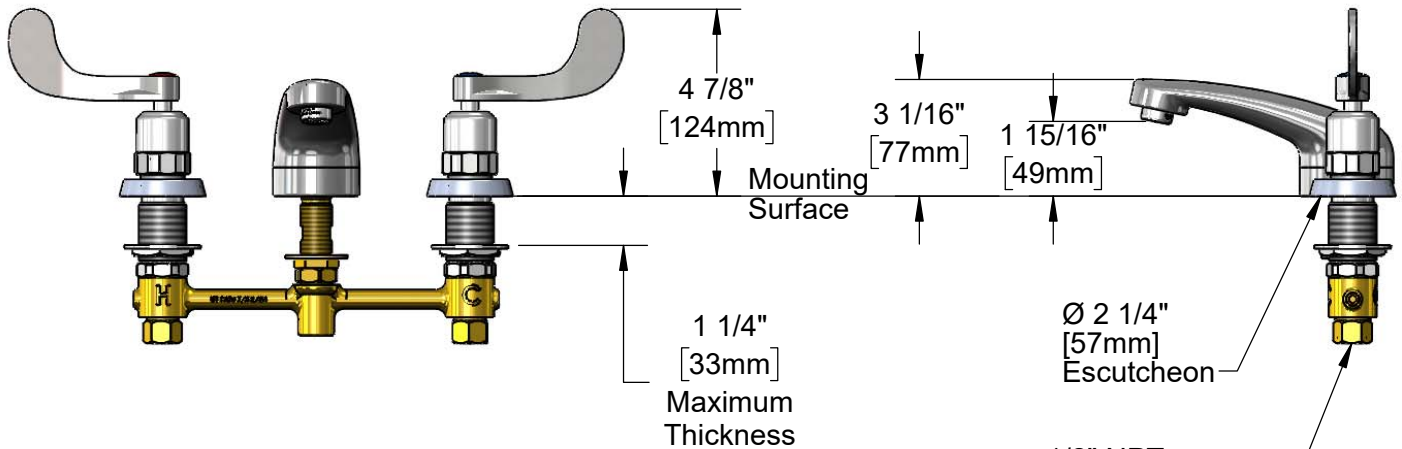


Quarter-Turn Eterna Cartridges w/ Spring Checks & Wrist Action Handles w/ Color Coded Indexes

Cast Spout w/ B-0199-03 2.2 GPM Aerator



Pop-Up Drain



Ø 2 1/4" [57mm] Escutcheon

1/2" NPT Male Inlets w/ Coupling Nuts

**Rough-In Requirement:**  
 Center Shank:  $\phi$  1" [ $\phi$  25mm] Mounting Hole  
 Hot/Cold Bodies:  $\phi$  1 1/2" [ $\phi$  38mm] Mounting Holes  
 Pop-Up Drain: Fits Sinks With  $\phi$  1 7/16" [37mm] to  $\phi$  1 3/4" [44mm] Drain Hole

**Product Specifications:**  
 8" EasyInstall Concealed Widespread Faucet, Wrist Action Handles, Slow-Close Metering Cartridges, Cast Spout w/ 2.2 GPM Aerator & 1/2" NPT Male Inlets w/ Coupling Nuts and Pop-Up Drain

**Product Compliance:**  
 ASME A112.18.1 / CSA B125.1  
 NSF 61 - Section 9  
 NSF 372 (Low Lead Content)  
 ANSI A117.1 (ADA)

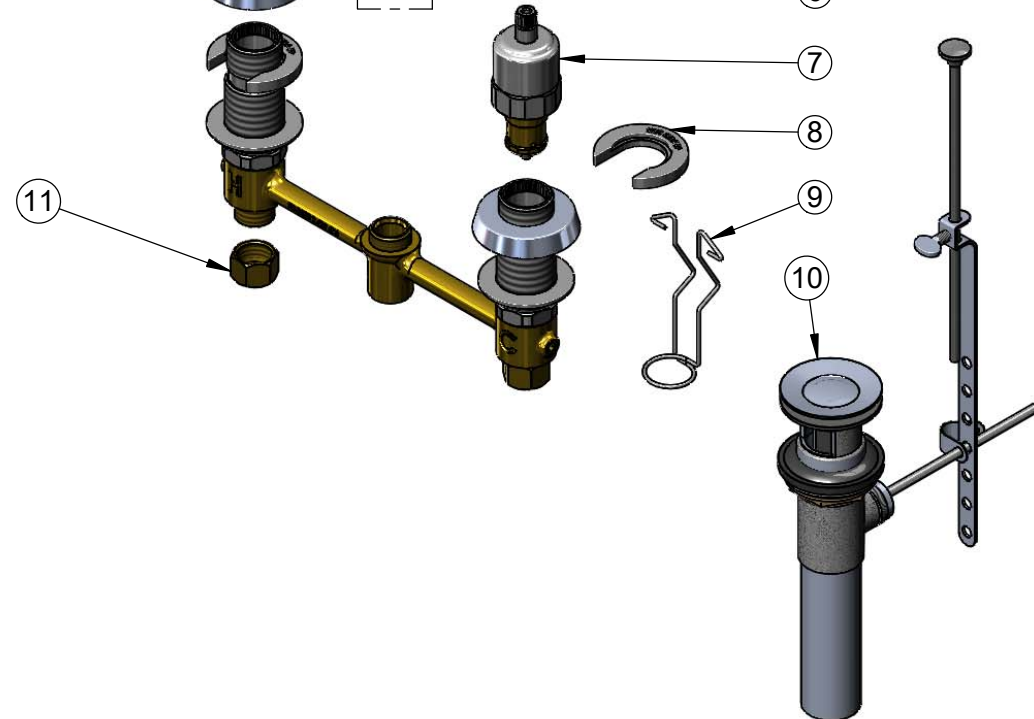
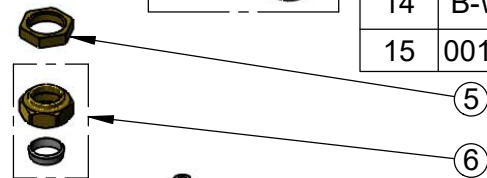
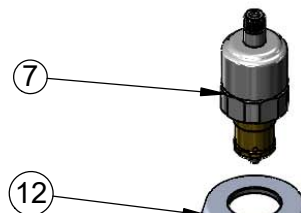
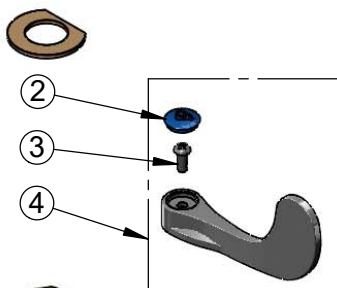
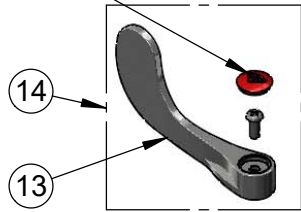


**T&S BRASS AND BRONZE WORKS, INC.**  
 2 Saddleback Cove / P.O. Box 1088  
 Travelers Rest, SC 29690

Model No.  
**B-2991-PWH4**

Item No.

Travelers Rest, SC: 800-476-4103 • Simi Valley, CA: 800-423-0150 • Fax: 864-834-3518 • www.tsbrass.com



ITEM NO.	SALES NO.	DESCRIPTION
1	B-0199-03	2.2 GPM Aerator
2	018506-19NS	Blue Button Index, Press-in
3	000925-45	Lab Handle Screw
4	B-WH4C-NS	Wrist Action Handle, Blue Index & Screw
5	002954-45	Shank Lock Nut
6	016745-45	Compression Nut & Fitting
7	012449-40	Wrist Action Metering Cartridge Assembly
8	016749-45	Sidebody C-Washer
9	016777-45	CWS Hanger
10	B-0898	Pop-Up Drain
11	000958-20	Coupling Nut
12	017292-45	Metering CWS Escutcheon
13	B-WH4-NS	Wrist Action Handle - New Style
14	B-WH4H-NS	Wrist Action Handle, Red Index & Screw
15	001193-19NS	Red Button Index, Press-in

**Product Specifications:**

8" EasyInstall Concealed Widespread Faucet, Wrist Action Handles, Slow-Close Metering Cartridges, Cast Spout w/ 2.2 GPM Aerator & 1/2" NPT Male Inlets w/ Coupling Nuts and Pop-Up Drain

**Product Compliance:**

ASME A112.18.1 / CSA B125.1  
 NSF 61 - Section 9  
 NSF 372 (Low Lead Content)  
 ANSI A117.1 (ADA)