



**T&S BRASS AND BRONZE WORKS, INC.**  
 2 Saddleback Cove / P.O. Box 1088  
 Travelers Rest, SC 29690

Model No.  
**B-1222**

Item No.

Travelers Rest, SC: 800-476-4103 • Simi Valley, CA: 800-423-0150 • Fax: 864-834-3518 • www.tsbrass.com

This Space for Architect/Engineer Approval

Job Name \_\_\_\_\_ Date \_\_\_\_\_

Model Specified \_\_\_\_\_ Quantity \_\_\_\_\_

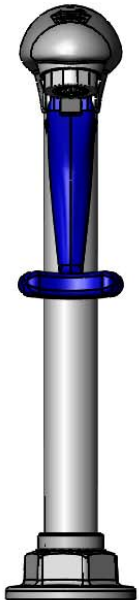
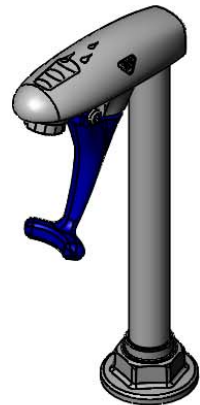
Customer/Wholesaler \_\_\_\_\_

Contractor \_\_\_\_\_

Architect/Engineer \_\_\_\_\_



**ADA Compliant**



Torx Wrench Adjustable  
Flow Outlet

3 3/4"  
[96mm]

Dark Blue  
Lever Arm

9 1/4"  
[235mm]

7 15/16"  
[202mm]

4 11/16"  
[119mm]

1/2" NPT  
Female Inlet

Ø2" [52mm]  
Deck Flange

Product Specifications:  
 8" Pedestal Glass Filler, Push Back Design,  
 1/2" NPT Female Inlet, Dark Blue Self-Closing Arm  
 Designed for Water Coolers

Product Compliance:  
 ASME A112.18.1 / CSA B125.1  
 NSF 61 - Section 9  
 NSF 372 (Low Lead Content)



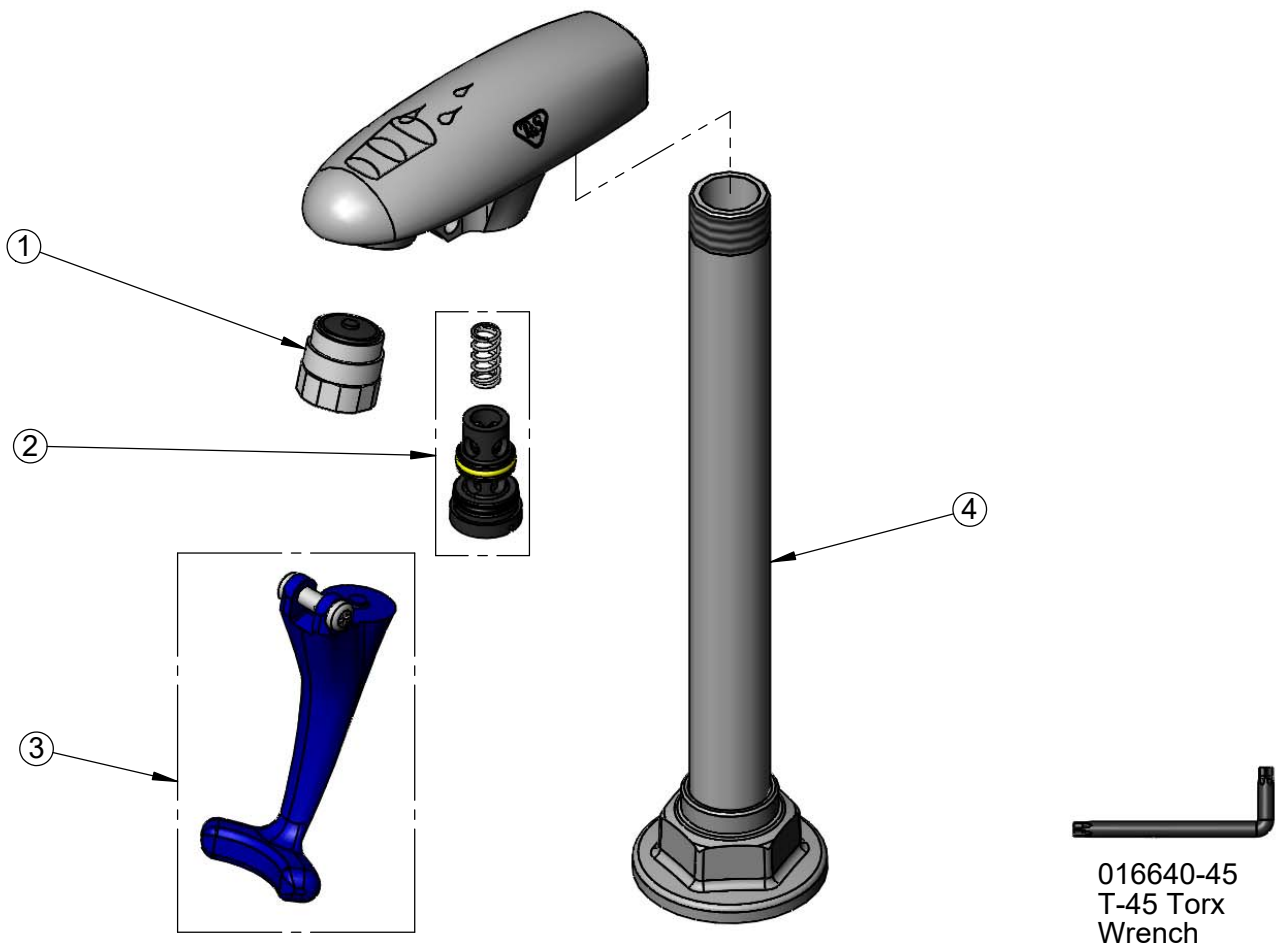
**T&S BRASS AND BRONZE WORKS, INC.**  
 2 Saddleback Cove / P.O. Box 1088  
 Travelers Rest, SC 29690

Model No.  
**B-1222**

Item No.

Travelers Rest, SC: 800-476-4103 • Simi Valley, CA: 800-423-0150 • Fax: 864-834-3518 • www.tsbrass.com

ITEM NO.	SALES NO.	DESCRIPTION
1	015588-40	Adjustable Outlet w/ Torx Wrench
2	015589-40	Valve Assembly
3	015550-45	Lever Arm Repair Kit
4	015983-40	B-1222 8" Pedestal & Flange



016640-45  
 T-45 Torx  
 Wrench

Product Specifications:  
 8" Pedestal Glass Filler, Push Back Design,  
 1/2" NPT Female Inlet, Dark Blue Self-Closing Arm  
 Designed for Water Coolers

Product Compliance:  
 ASME A112.18.1 / CSA B125.1  
 NSF 61 - Section 9  
 NSF 372 (Low Lead Content)