

*This Space for Architect/Engineer Approval*

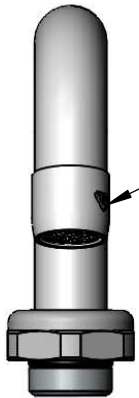
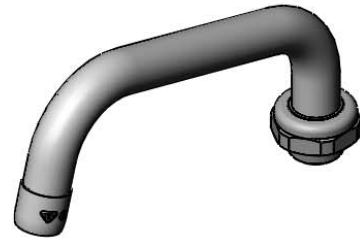
Job Name \_\_\_\_\_ Date \_\_\_\_\_

Model Specified \_\_\_\_\_ Quantity \_\_\_\_\_

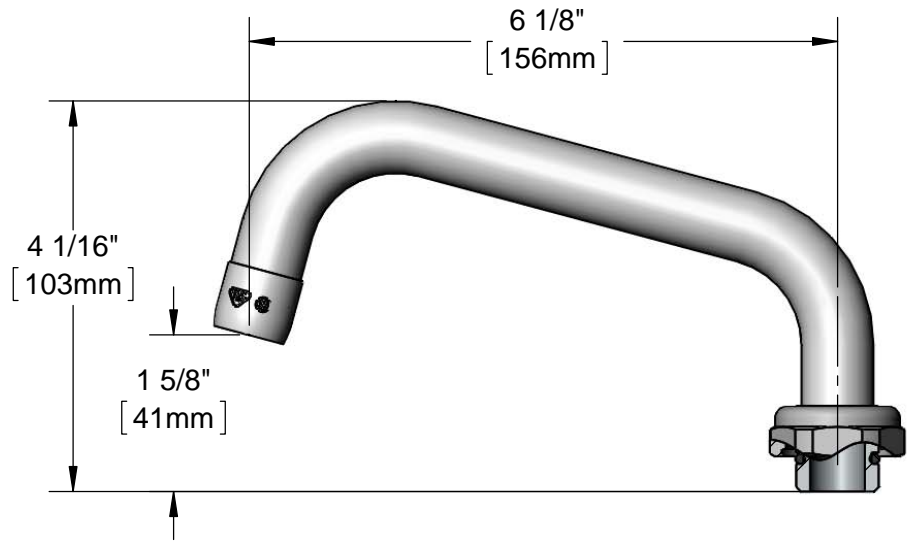
Customer/Wholesaler \_\_\_\_\_

Contractor \_\_\_\_\_

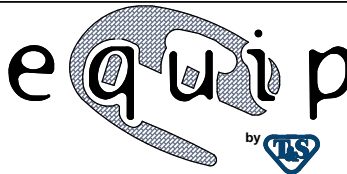
Architect/Engineer \_\_\_\_\_



Laminar Flow  
Outlet Device



**Note:**  
Conversion to Rigid Requires 014200-45 Lock Washer  
(Available Separately)

|  |   |               |                |            |               |
|--|---|---------------|----------------|------------|---------------|
| Model Number<br><br><h2 style="text-align: center;">5SP-06</h2>  | Product Specifications:<br><br><h3 style="text-align: center;">6" Swing Nozzle w/ Laminar Flow Outlet Device</h3>   |               |                |            |               |
| Product Compliance:<br><br>ASME A112.18.1 / CSA B125.1<br>NSF 61 - Section 9<br>NSF 372 (Low Lead Content) | <div style="display: flex; justify-content: space-between; align-items: center;"> <div data-bbox="602 1906 740 1980"> <p>equip<br/>Foodservice<br/>Accessories</p> </div> <div data-bbox="745 1858 1089 2030">  </div> <div data-bbox="1101 1896 1570 1997"> <p>2 Saddleback Cove, P.O. Box 1088<br/>           Travelers Rest, South Carolina 29690<br/>           Phone: 800.891.4808 Fax: 800.868.0084<br/> <a href="http://equip.tsbrass.com">equip.tsbrass.com</a></p> </div> </div> |               |                |            |               |
| Drawn: JBC   | Checked: JRM  | Approved: JHB | Date: 11/21/16 | Scale: 1:2 | Sheet: 1 of 1 |