



**T&S BRASS AND BRONZE WORKS, INC.**  
 2 Saddleback Cove / P.O. Box 1088  
 Travelers Rest, SC 29690

Model No.  
**001AC**

Item No.

Travelers Rest, SC: 800-476-4103 • Simi Valley, CA: 800-423-0150 • Fax: 864-834-3518 • www.tsbrass.com

This Space for Architect/Engineer Approval

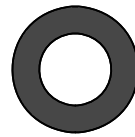
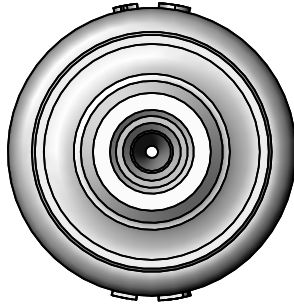
Job Name \_\_\_\_\_ Date \_\_\_\_\_

Model Specified \_\_\_\_\_ Quantity \_\_\_\_\_

Customer/Wholesaler \_\_\_\_\_

Contractor \_\_\_\_\_

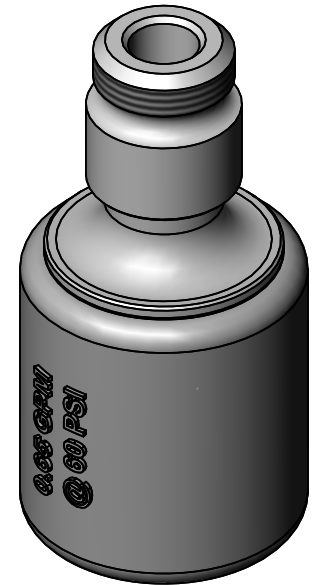
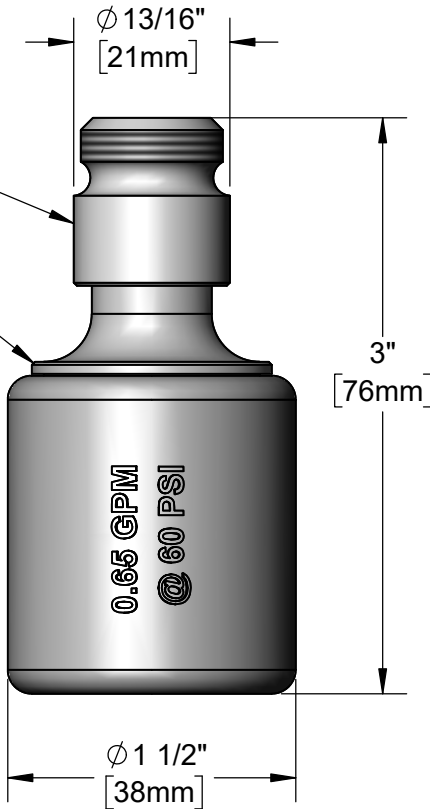
Architect/Engineer \_\_\_\_\_



Washer  
 (010476-45)  
 (Included)

5/8-27 Female x  
 3/4-14 Male Adapter

B-0107-C Nozzle



Product Specifications:  
 B-0107-C, 0.65 GPM Low Flow Spray Tip, Bumber with Adapter

Product Compliance:  
 ASME A112.18.1 / CSA B125.1  
 NSF 61 - Section 9  
 NSF 372 (Low Lead Content)



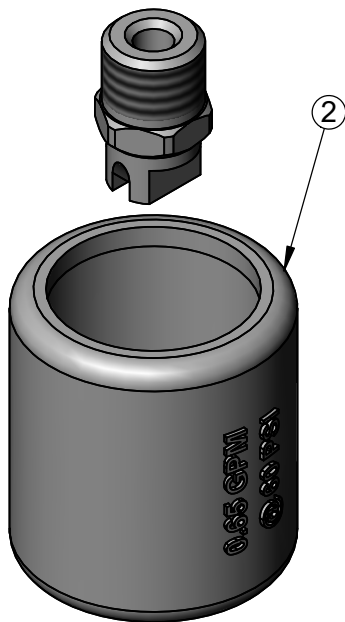
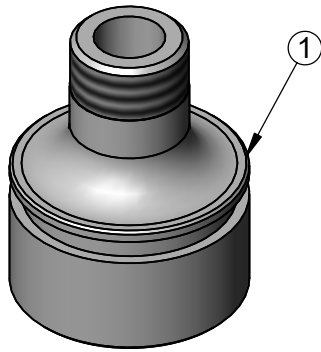
**T&S BRASS AND BRONZE WORKS, INC.**  
 2 Saddleback Cove / P.O. Box 1088  
 Travelers Rest, SC 29690

Model No.  
**001AC**

Item No.

Travelers Rest, SC: 800-476-4103 • Simi Valley, CA: 800-423-0150 • Fax: 864-834-3518 • www.tsbrass.com

ITEM NO.	SALES NO.	DESCRIPTION
1	003128-25NS	Short Low-Flow PRSV Nozzle
2	002659-45NS	Short Shield, B-0107-C
3	000552-25	Adapter, 5/8-27 Female x 3/4-14 Male
5	012733-45	5 x 8 Poly Bag
6	010476-45	#27 Washer



Product Specifications:  
 B-0107-C, 0.65 GPM Low Flow Spray Tip, Bumper with Adapter

Product Compliance:  
 ASME A112.18.1 / CSA B125.1  
 NSF 61 - Section 9  
 NSF 372 (Low Lead Content)