

### FEATURES

- WaterSense® certified high-efficiency 1.75 gpm (6.6 lpm)
- Rubber nozzles to prevent limescale build-up
- G 1/2 thread connection compatible with 1/2 NPT
- Meets 2018 California water efficiency appliance CEC regulations
- Shower arm sold separately

### OPTIONAL COMPONENT

TS200N6: Shower Arm 6" (Sold separately)

### COLORS/FINISHES

#CP Polished Chrome

### CODES/STANDARDS

- Meets or exceeds ASME A112.18.1/CSA B125.1
- Certifications: IAPMO(cUPC), EPA WaterSense, State of Massachusetts and others
- Code Compliance: UPC, IPC, NSPC, NPC Canada, DoE, CEC and others
- Complies with CA Prop 65 warning requirements



### PRODUCT SPECIFICATION

Product shall be TOTO Model TBW03001U4#\_\_\_\_\_.  
Product shall have a maximum flow rate of 1.75 gpm (6.6 lpm). Product shall have rubber nozzles to prevent limescale build-up. Product shall have G 1/2 thread connection compatible with 1/2 NPT. Product shall meet 2018 California water efficiency appliance CEC regulations. Product shower arm sold separately.



Please note the following components are sold separately



TS200N6: Shower Arm 6"

# TBW03001U4

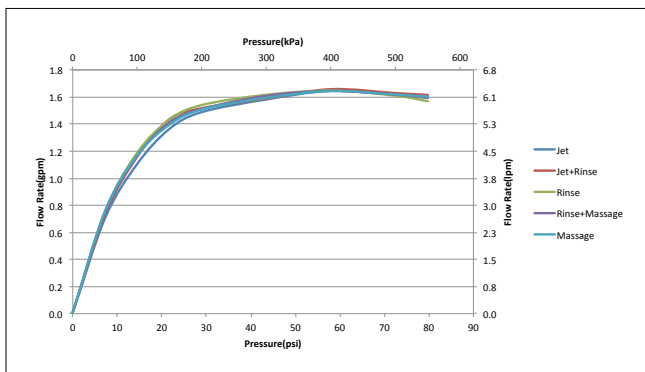
## Classic Showerhead 5 Mode

### SPECIFICATIONS

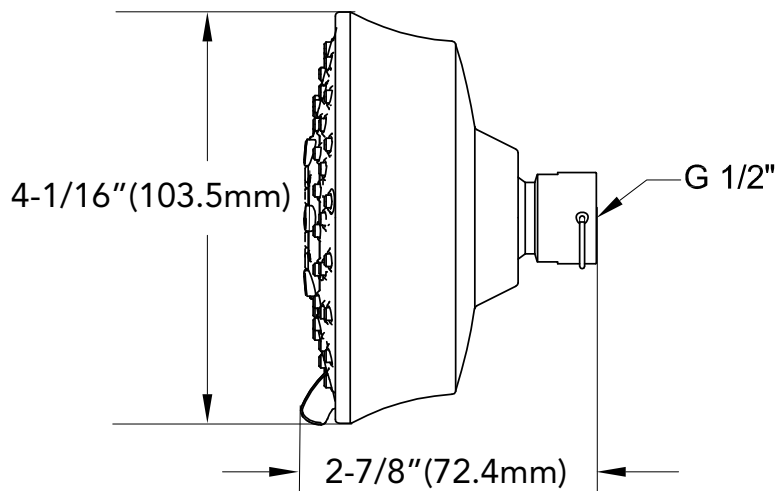
<b>Material</b>	ABS & POM
<b>Maximum Flow Rate</b>	1.75 gpm (6.6 lpm)
<b>Warranty</b>	Limited Lifetime for Residential Use One Year for Commercial Use
<b>Shipping Weight</b>	1.0 lb
<b>Shipping Dimensions</b>	7-7/8" L x 5-3/4" W x 5" H

### INSTALLATION NOTES

Compatible with TS200N6: Shower Arm 6"



### DIMENSIONS



**TOTO**