

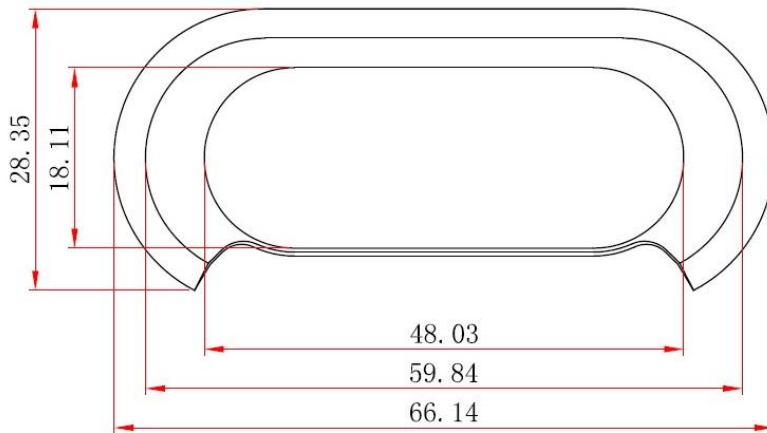
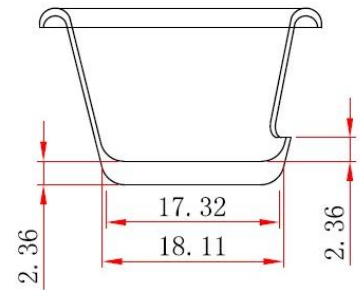
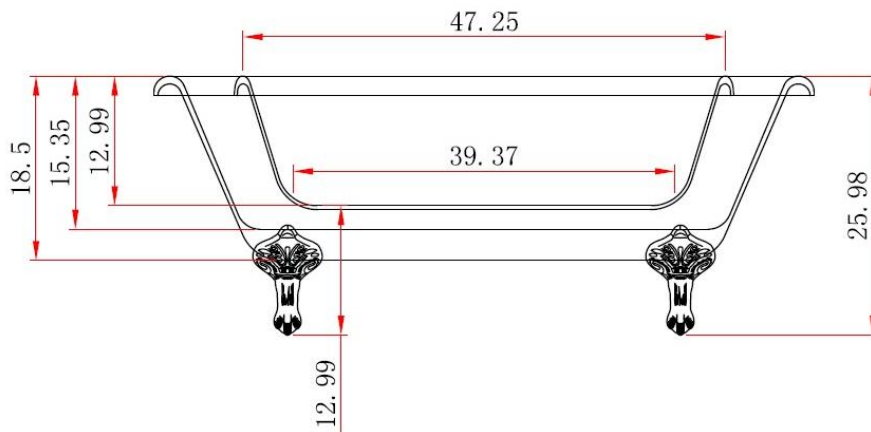
# Strom Plumbing



Ph: (916) 638-2722 / Fax: (916) 638-2725

## Tub Specifications – Acrylic Dual Sofa Tub on Legs

Item # P1113



|              | OVERALL LENGTH | OVERALL WIDTH | OVERALL HEIGHT | FAUCET HOLES CENTERS | BOTTOM OF TUB TO FLOOR | OVERFLOW HEIGHT TO BOTTOM OF TUB | SEAT AREA | WATER VOLUME (GALLONS) | UNCRATED WEIGHT | CRATED WEIGHT |
|--------------|----------------|---------------|----------------|----------------------|------------------------|----------------------------------|-----------|------------------------|-----------------|---------------|
| <b>P1113</b> | 66.1"          | 28.4"         | 26"            | n/a                  | 7.5"                   | N/A                              | 48" x 18" | N/A                    | 83 LBS          | 158 LBS       |

**SIGN OF THE CRAB, LLC**