



P-WMB1 Brick Buddy Wall Mounting Bracket

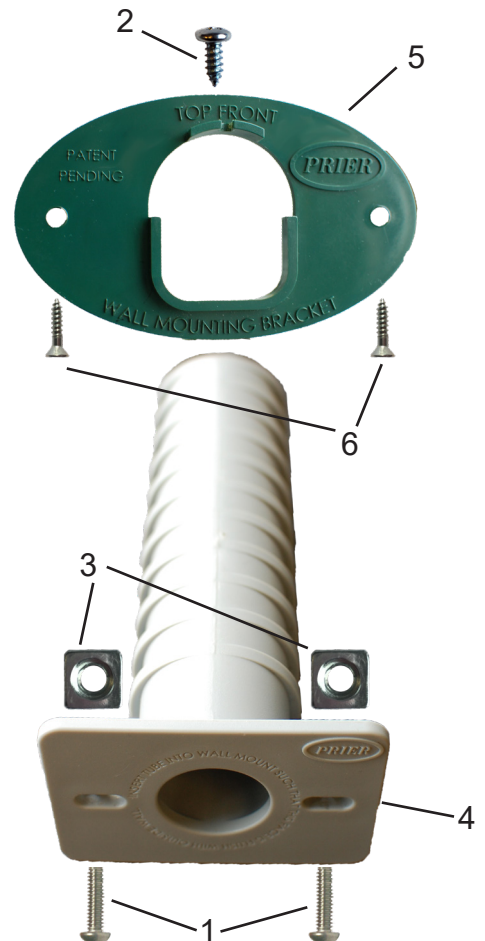
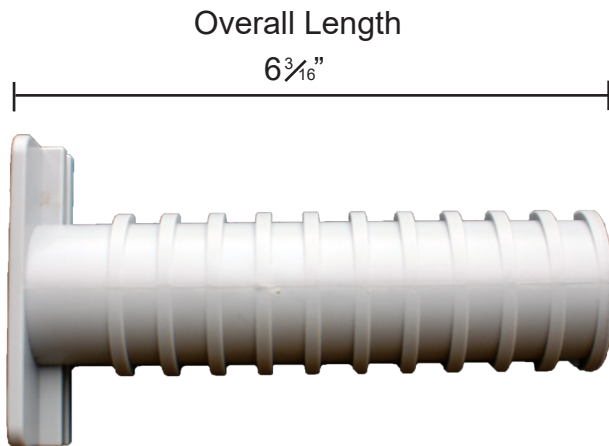


- Residential
- Adjustable
- Fits Most Models
- Eliminates Need of Pipe Sleeve

The Brick Buddy Wall Mounting Bracket is used with the installation of residential hydrants. Providing a secure anchor for the hydrant, the Brick Buddy can be adjusted to fit the necessary depth (1"-6") of any kind of masonry wall. This will save the installer time and prevent damage to the hydrant during construction.

This installation aid also provides a barrier between potentially corrosive materials in the wall and the copper supply line. With this protection, there is no need to sleeve the pipe before installation.

REPLACEMENT PARTS

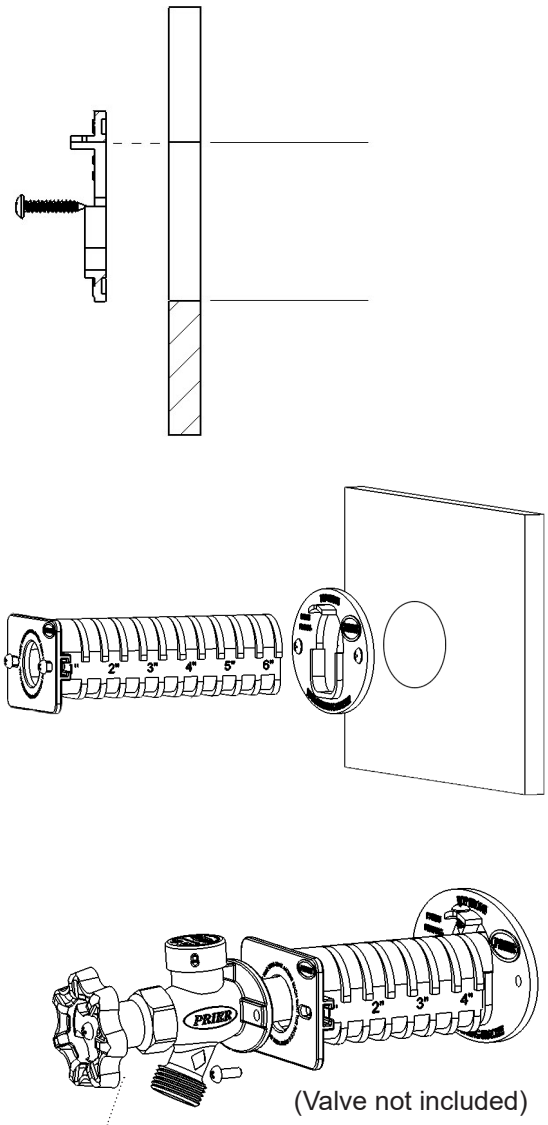




INSTALLATION

Instructions:

1. Identify where on the wall this mounting bracket will be anchored and drill a 2 1/4" diameter hole.
2. Align green flange so the top of sleeve hole is even with the top of drilled hole. Level the flange and mount it using the 2 screw holes provided.
3. Insert the grey sleeve body to the desired depth, such that the outer face of the sleeve will be flush with the front of the fascia (brick, stone, stucco, etc). When correct depth is set, use provided screw to lock in the sleeve through the top of the mounting flange. (Note: This screw can be removed and the sleeve adjusted at any time before the front fascia material is secured.)
4. The grey faceplate has 2 adjustable slots to secure hydrant to sleeve. Faceplate mounting screws and nuts provided.



The Brick Buddy will help with the installation of most hydrants through masonry walls, however, it is designed to work best with PRIER Products, Inc. brand hydrants.

Please note that the P-WMB1 will accommodate 300, 400, C-134, C-234, C-144, C-244, P-154, P-164, P-254, and P-264 series of frost proof valves as well as most other brands of residential wall hydrants.

After hydrant installation, the Brick Buddy should not require any additional maintenance or operation instructions.

Should you have questions about installing the Brick Buddy, please call our customer service at 1-800-362-9055 or visit PRIER.com for more information.