

# KEATON

## Features

- Solid brass construction
- Face plate with ADA compliant contemporary lever handle
- ADA compliant contemporary lever handle assembly for control valve
- Intended for use with Newport Brass rough valve(s) as specified (Required Accessory)

**Tub or Shower Trim  
(less tub spout or showerhead, arm & flange)**

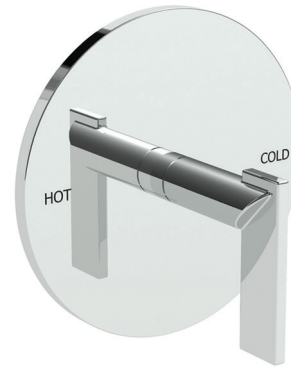
# 4-2494BP

**Also 3-395**

## Codes / Standards Compliance

Meets or exceeds the following at date of manufacture:

- ASME A112.18.1/CSA B125.1
- IAPMO/cUPC
- IPC
- ADA
- ICC/ANSI A117.1
- ASSE 1016
- All applicable US Federal and State material regulations



4-2494BP

3-395

## Colors / Finishes

- 10B: Oil Rubbed Bronze
- 15: Polished Nickel
- 15S: Satin Nickel - PVD
- 26: Polished Chrome
- Other: Refer to the Newport Brass catalog for additional color/finish options.

## Specified Model

Model	Description	Colors   Finishes				
4-2494BP	Tub or Shower Trim (less tub spout or showerhead, arm & flange)	<input type="checkbox"/> 10B	<input type="checkbox"/> 15	<input type="checkbox"/> 15S	<input type="checkbox"/> 26	<input type="checkbox"/> Other
3-395	Shower System Control Valve Trim (Escutcheon/Handle)	<input type="checkbox"/> 10B	<input type="checkbox"/> 15	<input type="checkbox"/> 15S	<input type="checkbox"/> 26	<input type="checkbox"/> Other

## Required Accessory: Trim(s), above, and Rough Valve(s), below, must be specified.

Application	Shower (or Tub) Valve (Choose One)		Control Valve
<b>Description</b>	Balance Pressure (BP)	Balance Pressure (BP)	Diverter (3/4 Port)
<b>Inlet/Outlet Size</b>	1/2"	1/2"	1/2"
<b>Part Number</b>	<input type="checkbox"/> 1-594	<input type="checkbox"/> 1-684	<input type="checkbox"/> 1-617
<b>Image</b>			

## Product Specification: Add size designator and "Color / Finish" suffix to Model number, below.

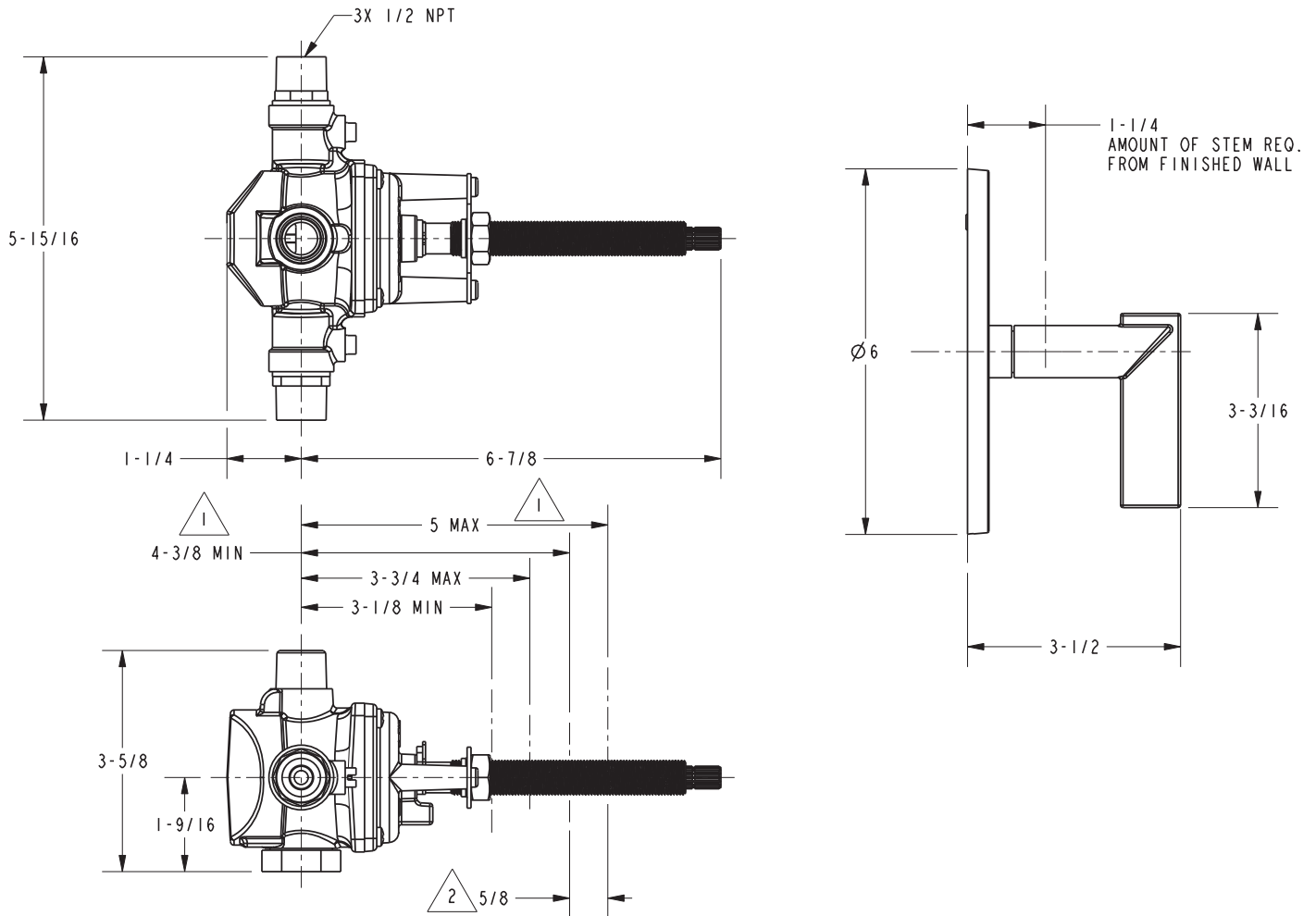
The single-control Tub or Shower Trim (less tub spout or showerhead, arm & flange) shall be made of solid brass construction. Tub or Shower Trim shall include faceplate with ADA compliant handle. Shower System Control Valve Trim(s) (Escutcheon/Handle) shall be ADA compliant when used with specified Shower System Control Valve. Tub or Shower Trim (less tub spout or showerhead, arm & flange) shall be Newport Brass Model 4-2494BP/\_\_\_\_ and single-control Tub or Shower rough valve shall be Newport Brass Model 1-\_\_\_\_. [Optional Shower System Control Valve Trim (Escutcheon/Handle) shall be 3-395/\_\_\_\_ and Shower System Control Valve shall be 1-617].

# 4-2494BP

## PRODUCT DIMENSIONS *(Units are in inches)*

NOTES:

- 1 CUT STEM AS SHOWN.
- 2 CUT ALL-THREAD 5/8" SHORTER THAN STEM



**Keaton Tub or Shower Trim**  
**4-2494BP**