

ALEXANDRIA

Double Robe Hook

22-13

Features

- Solid brass construction
- Complements Alexandria product series

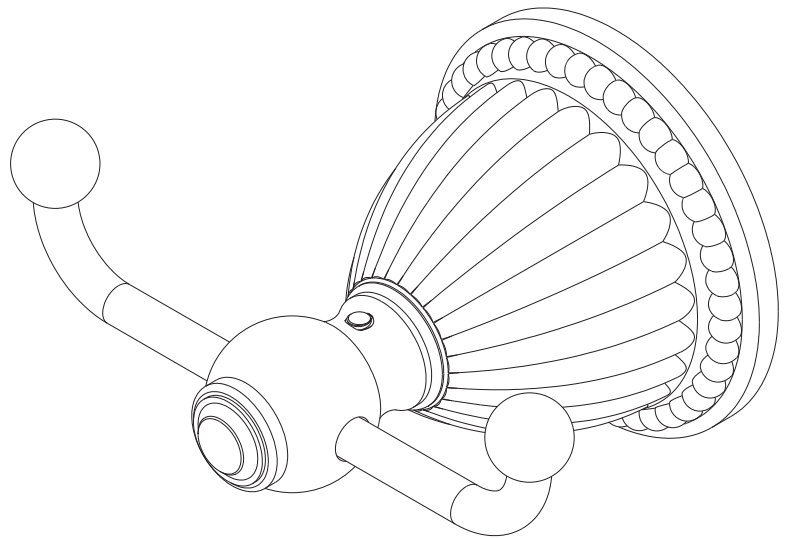
Codes / Standards Compliance

Meets or exceeds the following at date of manufacture:

- All applicable US Federal and State material regulations

Colors / Finishes

- 15: Polished Nickel
- 15S: Satin Nickel
- 26: Polished Chrome
- 10B: Oil Rubbed Bronze
- Other: Refer to the Newport Brass catalog for additional color/finish options.



Specified Model

Model	Description	Colors Finishes
22-13	Double Robe Hook	<input type="checkbox"/> 15 <input type="checkbox"/> 15S <input type="checkbox"/> 26 <input type="checkbox"/> 10B <input type="checkbox"/> Other

Product Specification: Add "Color / Finish" Suffix to Model Number Below.

The Double Robe Hook shall be made of solid brass construction. Double Robe Hook shall complement Newport Brass Alexandria product series. Double Robe Hook shall be Newport Brass Model 22-13/____.

22-13

Product Dimensions *(units are in inches)*

