

1384-1386 The Protector®

Elongated Front, SmartHeight™, No-Overflow, Vitreous China, Two-Piece Toilet



Features

- No-Overflow toilet
- Secondary drain concealed within the bowl
- 1.6 gpf / 6.0 lpf low water consumption
- PuraClean™ easy-to-clean glaze
- SmartFasten™ 3-bolt tank-to-bowl connection
- Oversized footprint
- Elongated front bowl
- SmartHeight™ (16-1/2" high bowl)
- Pilot anti-siphon fill valve
- 3" flush valve
- 12" rough-in
- Model 54 decorative metal trip lever
- 2" glazed trapway
- The Mansfield® limited lifetime warranty
- Available in White



Elongated Front





Model 1384-1386
Toilet seat not included



Also available as a complete toilet kit.*

Components

Model #	Description	Codes/Standards
1384-1386	SmartHeight™, elongated front two-piece toilet. Less toilet seat and supply.	 
1384	SmartHeight™, elongated front toilet bowl only. Less toilet seat.	
1386	Tank and cover only, with left hand, front-mount, metal trip lever. Less supply.	
*1384CTK	Elongated front, SmartHeight™ complete toilet kit. Includes slow close toilet seat, tank and bowl, flange bolts, wax ring with polyethylene flange and instructions. Less supply.	



MADE IN USA

1384-1386

The Protector®

Elongated Front, SmartHeight™, No-Overflow, Vitreous China, Two-Piece Toilet

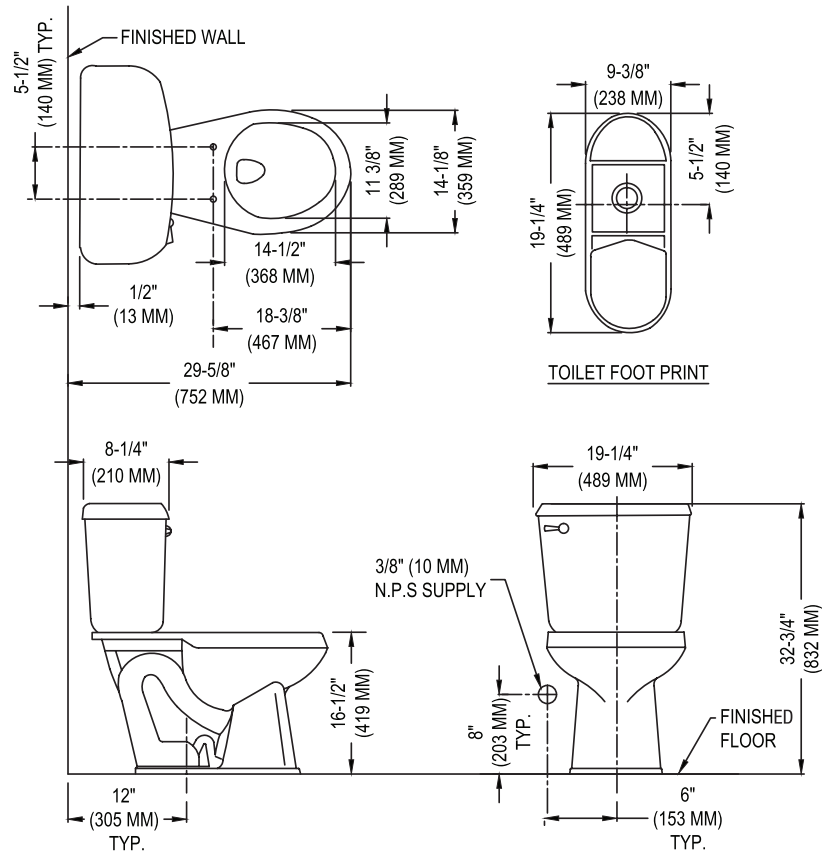


Specifications

Model #	Description	Codes/Standards
1384-1386	Elongated front (1.6 gpf/6.0 lpf) two-piece toilet	

Specification	Description	Specification	Description
Material	Vitreous China	Trap Diameter	2"
Water Pressure Range	20 to 80 PSI	Trap Seal	2"
Flush System	SmartFlush™ Flushing Technology	Rough-in	12"
Water Usage	1.6 gpf / 6.0 lpf	Shipping Weight	Model 1384 - 55 lbs. Model 1386 - 35 lbs. Model 1384CTK - 93 lbs.
Water Surface Area	7.72" X 8.74"	Warranty	Vitreous China - Limited Lifetime Tank Trim - Limited One Year
MaP Rating	800 grams		

Technical Information



See our complete line of acrylic and vitreous china bathroom fixtures, plastic tank trim and plumbing products.

These dimensions are nominal and subject to change without notice.

Fixture performance and specifications meet or exceed ASME A112.19.2-2008/CSA B45.1-08 standards, and other state and local codes.

