



Lustra™
Commercial Elongated Toilet Seat
K-4670-CA

Features

- Elongated, open-front toilet seat
- Sturdy, chip-resistant polypropylene with a finish that won't stain or peel
- Includes an antimicrobial agent that protects the toilet seat from odor- and stain-causing bacteria, mold and mildew. Antimicrobial agent does not protect the user from disease-causing bacteria.
- Check hinge.



Codes/Standards

None Applicable


KOHLER® One-Year Limited Warranty

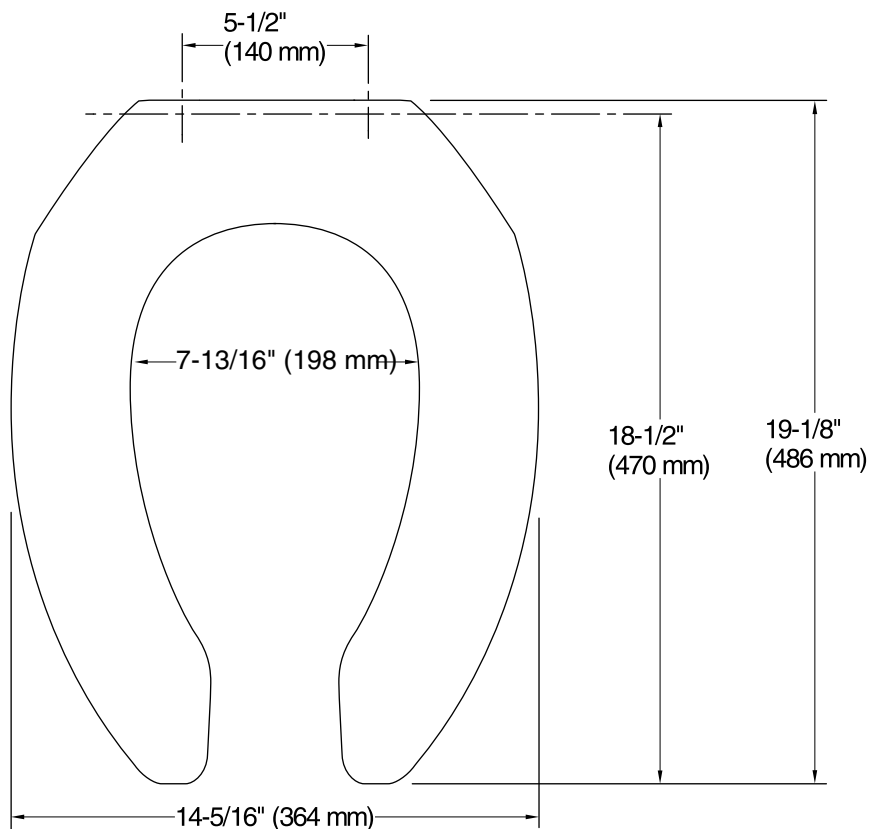
See website for detailed warranty information.

Available Colors/Finishes

Color tiles intended for reference only.

Color Code Description

	0	White
--	---	-------



Technical Information

All product dimensions are nominal.

Seat shape type: Elongated

Seat front type: Open-front

Seat hinge type: Check

Seat-mounting holes: 5-1/2" (140 mm)

Notes

Install this product according to the installation guide.