



Modflex™ Adjust-a-Bowl™

Top spud antimicrobial flushometer bowl w/ bedpan lugs
K-25042-SSL

Features

- Elongated bowl.
- Siphon jet.
- 1.28 (4.8 lpf) or 1.6 gpf (6 lpf) depending on flushometer specified.
- 10-1/2" (266 mm) x 7-1/2" (190 mm) water surface.
- Minimal design detail and partially concealed skirt for ease of cleaning.
- Easy-to-clean low-profile bolt caps.
- Includes bedpan lugs.
- Pair with KOHLER® flushometers and seats for a complete solution.
- Supports static load of 2,500 lbs.
- Antimicrobial finish inhibits the growth of mold-, mildew-, stain-, and odor-causing bacteria on the fixture surface.
- 1-1/2" (38 mm) top spud.

Material

- Vitreous china.

Technology

- Wall-to-floor toilet conversion solution, perfect for healthcare or any other facility interested in addressing load concerns.
- Eliminates need for a gut renovation to remove in-wall carrier and outlet and install new floor outlet.
- Adjustability allows toilet to attach to outlet of the horizontal branch, even if positioned next to the vertical stack.
- Engineered for strong flush performance in buildings with lower water pressure or flow.
- Design eliminates gas leaks, splashing and paper shredding.

Installation

- Floor-mount.
- Included brackets attach to wall carrier and secure bowl to both wall and floor.
- Designed to cover existing footprint of any wall bowl on the market.
- Adjustable connector enables replacement of wall-mount bowls with rim heights from 15" to 18".

Recommended Products/Accessories

K-4670-CA Lustra™ Commercial Elongated Toilet Seat
K-23726 Drain treatment

Included Components

Additional Components:
Brackets



ADA	CSA B651	OBC
-----	----------	-----

Codes/Standards




ASME A112.19.2/CSA B45.1
DOE - Energy Policy Act 1992
EPA WaterSense®
California Energy Commission (CEC)
ADA
ICC/ANSI A117.1
CSA B651
OBC

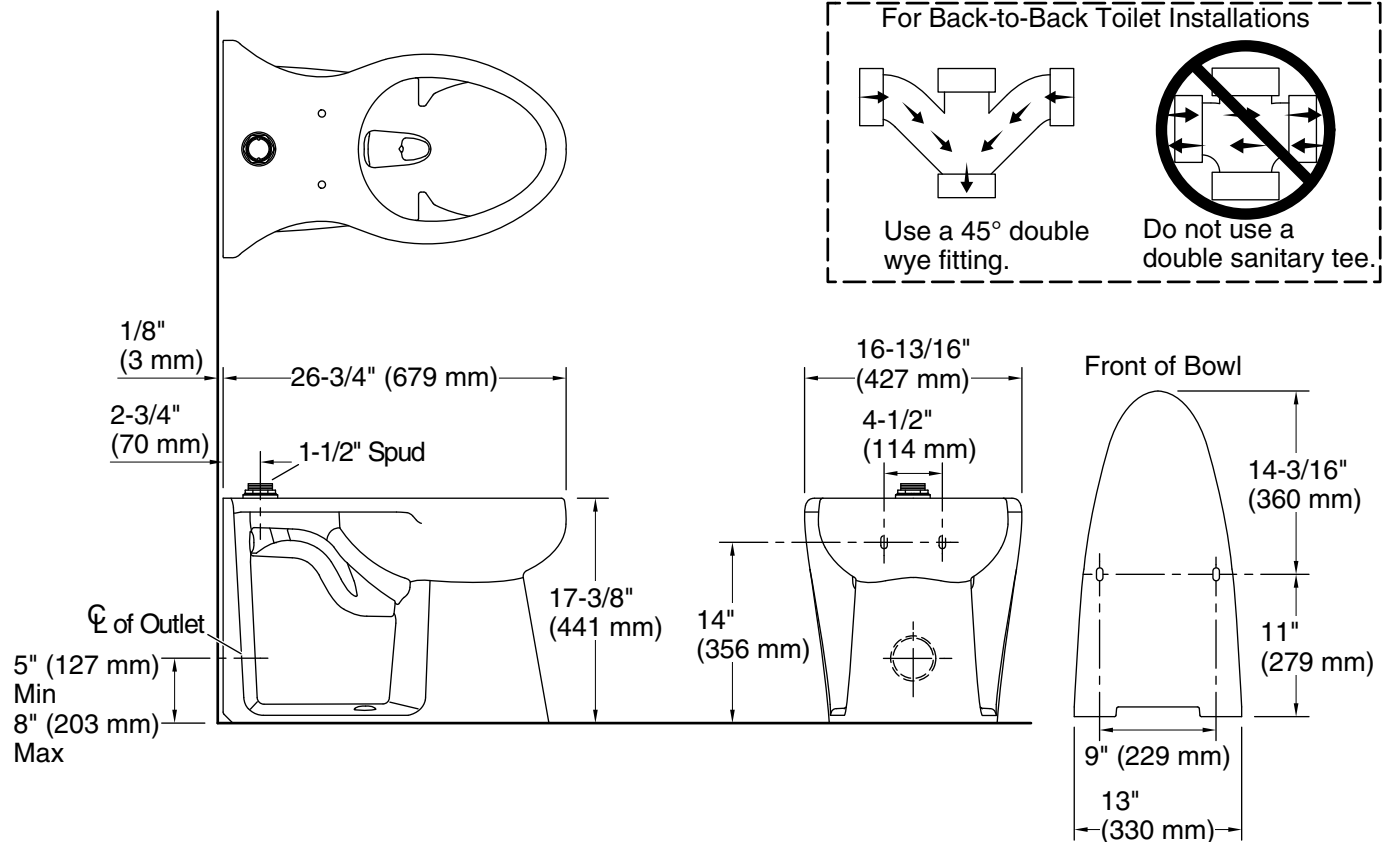
KOHLER® One-Year Limited Warranty

See website for detailed warranty information.

Available Colors/Finishes

Color tiles intended for reference only.

Color	Code	Description
	0	White
	96	Biscuit
	47	Almond



Technical Information

All product dimensions are nominal.

Toilet type:	Flushometer, Floor-mount
Waste Outlet:	Wall
Bowl shape:	Elongated
Flush type:	Flushometer valve siphon
Spud size:	1 1/2, Inlet, Top
Trap passageway:	2-1/8" (54 mm)
Water Consumption	
Full:	1.6 gpf (6 lpf)
Reduced:	1.28 gpf (4.8 lpf)
Water surface size:	10-1/2" x 7-1/2" (267 mm x 191 mm)
Rim to water surface:	5-3/4" (146 mm)
Rough-in:	5" (127 mm)
Seat-mounting holes:	5-1/2" (140 mm)

Fixture Supply Requirements

Min static pressure:	35 psi (241.3 kPa)
Max static pressure:	80 psi (551.6 kPa)
Min flowing pressure:	25 psi (172.4 kPa)
Min flow rate:	25 gpm (94.6 lpm)

Notes

Install this product according to the installation instructions.

For back-to-back toilet installations: Use only a 45° double wye fitting.

This product is designed for a floor-mount installation with a wall-outlet.

ADA, OBC, CSA B651 compliant when installed to the specific requirements of these regulations.

Plumbing codes may require elongated toilets and elongated, open-front seats in public bathrooms.

Accessibility standards may require controls to be located on the open side of the toilet.