

### Features

- 1.2 gpm (gallons per minute) maximum flow rate.
- 4-3/16" (107 mm) stationary spout reach.
- For 4" centers
- Single lever handle allows for both volume and temperature control.
- Red/blue indexing on handle.
- Temperature memory allows faucet to be turned on and off at the temperature set during prior usage.
- Includes plastic pop-up drain with 1-1/4" tailpiece.
- Coordinates with Coralais faucets, accessories, and showering components to complete your bathroom.

### Material

- Premium metal construction.
- KOHLER finishes resist corrosion and tarnishing.

### Technology

- KOHLER ceramic disc valves exceed industry longevity standards for a lifetime of durable performance.

### Installation

- Bath- or deck-mount.
- Pre-attached flexible supply lines simplify installation.
- Pre-assembled handle and flexible supply hoses simplify installation.

### Optional Products/Accessories

1160594 .35 gpm Aerator, Large



ADA

CSA B651

OBC

### Codes/Standards

ASME A112.18.1/CSA B125.1

NSF/ANSI 61

NSF/ANSI 372

All applicable US Federal and State material regulations

DOE - Energy Policy Act 1992

EPA WaterSense®

California Energy Commission (CEC)

ADA

ICC/ANSI A117.1

CSA B651

OBC

### KOHLER® Faucet Lifetime Limited Warranty

See website for detailed warranty information.

### Available Colors/Finishes

*Color tiles intended for reference only.*

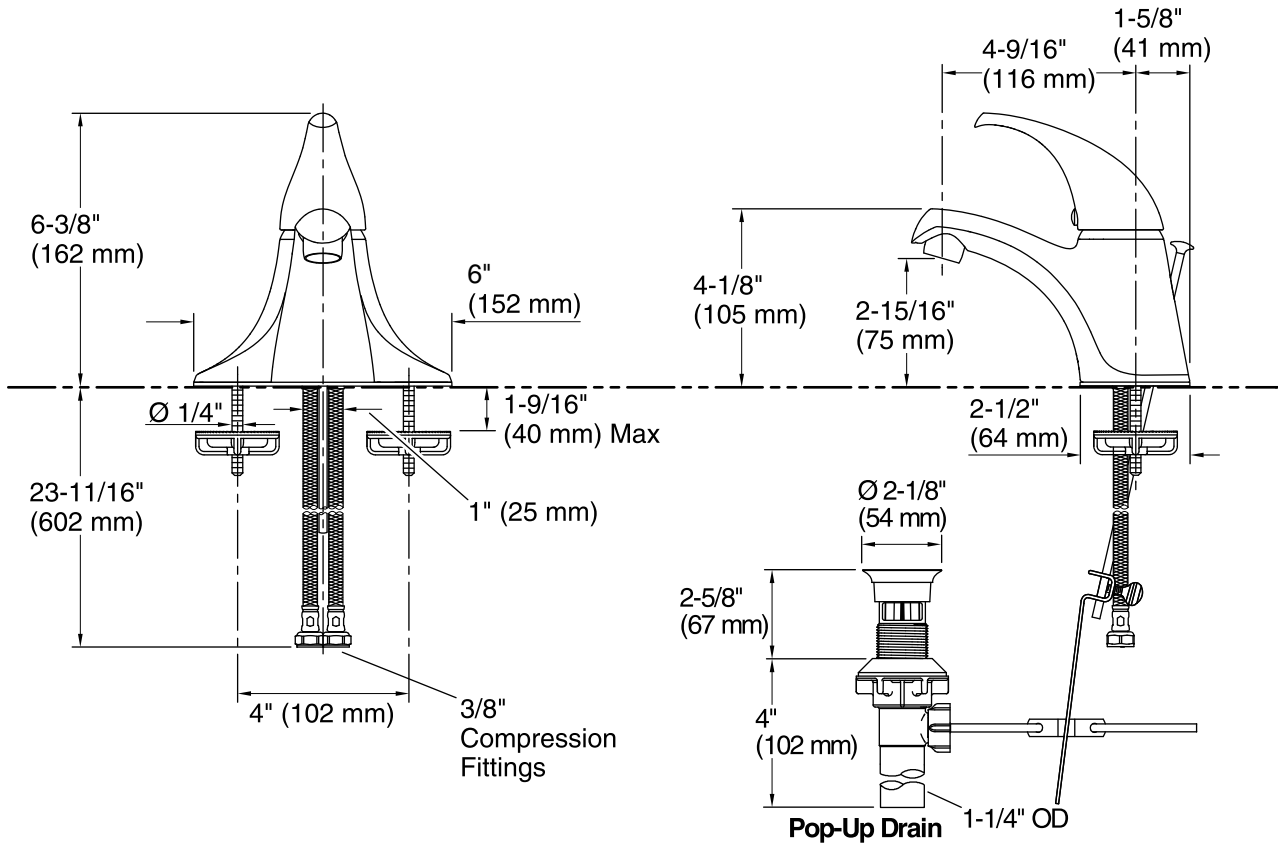
Color	Code	Description
-------	------	-------------



CP Polished Chrome



G Brushed Chrome



### Technical Information

All product dimensions are nominal.

#### Faucet:

Flow rate: 1.2 gal/min (4.5 l/min)

Pressure: 60 psi (4.1 bar)

Valve body: Plastic

Drain included: Yes

Drain with overflow: Yes

Drain tailpiece included: Yes

#### Spout:

Spout reach: 4-3/16" (107 mm)

### Notes

Install this product according to the installation guide.

ADA, OBC, CSA B651 compliant when installed to the specific requirements of these regulations.