



**Bardon™**  
High-Efficiency Urinal  
**K-4991-ETSS**

**Features**

- Washout urinal.
- 3/4" top spud.
- Will replace K-4904-ET.

**Material**

- Vitreous china.

**Technology**

- Antimicrobial finish inhibits the growth of mold, mildew, stain and odor causing bacteria on the fixture surface.

**Installation**

- 14" (356 mm) extended rim.

**Water Conservation & Rebates**

- 0.125 gpf (0.47 lpf) to 1.0 gpf (3.8 lpf).
- WaterSense-compliant when used with a 0.125 gpf or 0.5 gpf WaterSense flushometer.

**Recommended Accessories**

- K-10668 WAVE DC 1/8 GPF Urinal Flushometer
- K-10949 Tripoint™ DC 1/8 GPF Urinal Flushometer
- K-13520 Manual 1/8 GPF Urinal Flushometer
- K-7528 WAVE HES 1/8 GPF Urinal Flushometer
- K-7546 Tripoint™ HES 1/8 GPF Urinal Flushometer
- K-10675 WAVE DC 0.5 GPF Urinal Flushometer
- K-10958 Tripoint™ DC 0.5 GPF Urinal Flushometer
- K-7537 Tripoint™ HES 0.5 GPF Urinal Flushometer
- K-7526 WAVE HES 0.5 GPF Urinal Flushometer
- K-13519 Manual 0.5 GPF Urinal Flushometer
- K-10676 WAVE DC 1.0 GPF Wshdwn Flushometer
- K-10960 Tripoint™ DC 1.0 GPF Wshdwn Flushometer
- K-13518 Manual 1.0 GPF Wshdwn Flushometer
- K-7539 Tripoint™ HES 1.0 GPF Blwout Flushometer
- K-7542 Tripoint™ HES 1.0 GPF Wshdwn Flushometer
- K-7527 WAVE HES 1.0 GPF Wshdwn Flushometer

**Components**

Additional included component/s: 3/4" inlet spud, 2" outlet spud, Strainer, and Hangers (2).



**ADA** **CSA B651**

**Codes/Standards**

- ASME A112.19.2/CSA B45.1
- DOE - Energy Policy Act 1992
- EPA WaterSense®
- California Energy Commission (CEC)
- ADA
- ICC/ANSI A117.1
- CSA B651

**KOHLER® One-Year Limited Warranty**

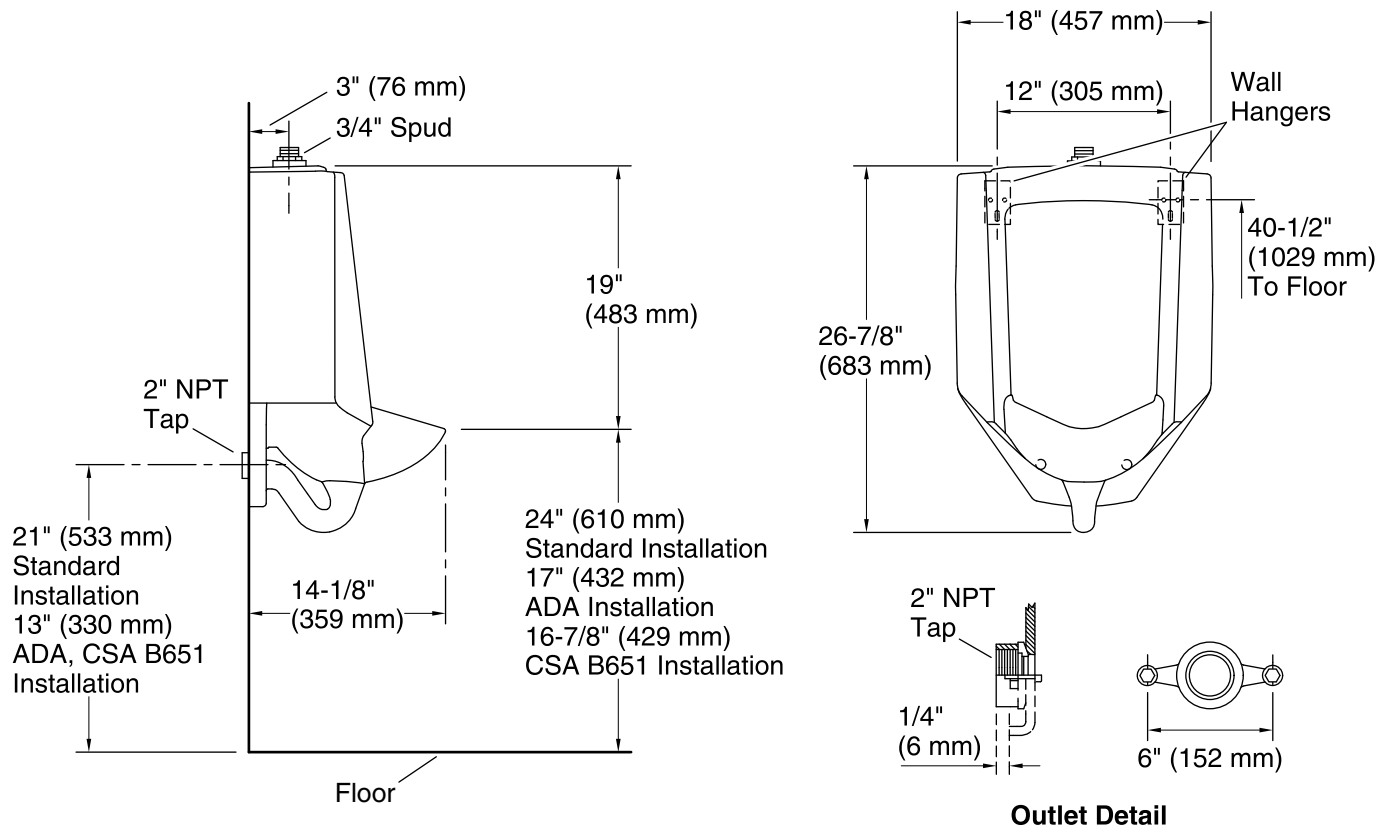
See website for detailed warranty information.

**Available Color/Finishes**

*Color tiles intended for reference only.*

**Color Code Description**

	0	White
--	---	-------



### Technical Information

All product dimensions are nominal.

Flush outlet technology: Washout

Spud size: 3/4", Inlet, Top

Min. Water per Flush: 0.125 gal (0.5 L)

Max. Water per Flush: 1 gal (3.8 L)

Designed for the above water use when installed with a water-saving flushometer.

### Notes

Install this product according to the installation instructions.

Refer to manufacturer's instructions and local codes for flushometer requirements.

ADA, CSA B651 compliant when installed to the specific requirements of these regulations.