

### Features

- Vitreous China.
- Wall-hung Compact Elongated Bowl.
- Dual flush flushing system.
- Requires in-wall tank and carrier system, and flush actuator.
- 0.8 gpf (3.0 lpf) or 1.6 gpf (6.0 lpf).
- Skirted design makes the exterior easier to clean
- Includes specially designed Memoirs® Quiet-Close seat.
- Wall mount / Wall Outlet
- Coordinates with the Memoirs® collection
- Recommended with Memoirs® Flush Actuator Plate (K-77721) and 2" x 4" In-Wall tank & carrier system (K-18829-NA)



### Recommended Accessories

K-18829 2x4 In-Wall Tank & Carrier System  
K-77721 Flush Actuator Plate





### Codes/Standards

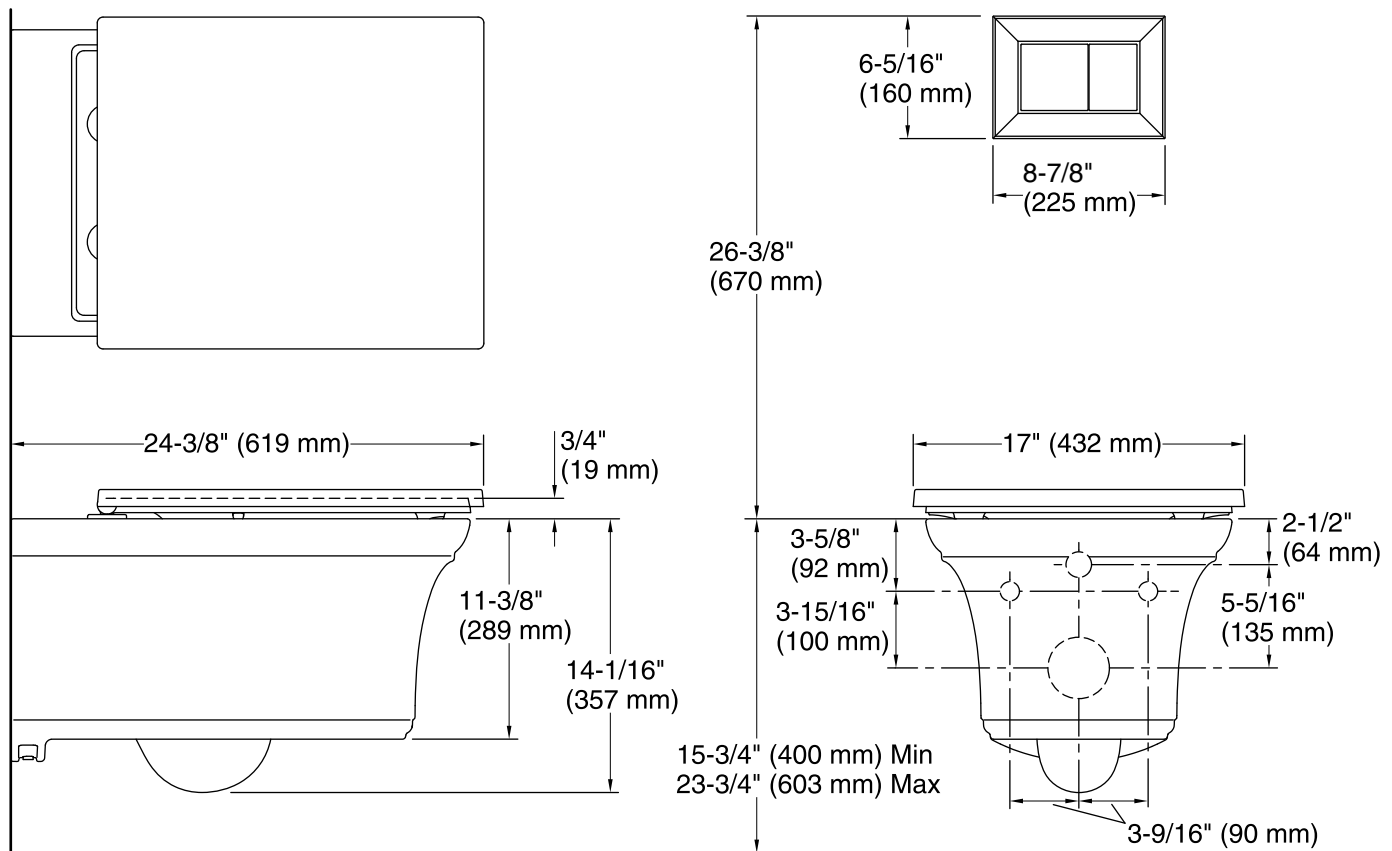
ASME A112.19.2/CSA B45.1  
ASME A112.19.14  
DOE - Energy Policy Act 1992  
EPA WaterSense®  
California Energy Commission (CEC)

See website for detailed warranty information.

### Available Color/Finishes

*Color tiles intended for reference only.*

Color	Code	Description
	0	White
	7	Black Black™



### Technical Information

All product dimensions are nominal.

Trap passageway: 2-1/2" (64 mm)

#### Water Consumption

Full: 1.6 gpf (6 lpf)

Reduced: 0.8 gpf (3 lpf)

Water surface size: 5-1/4" x 4-1/8" (133 mm x 105 mm)

Rim to water surface: 8-1/2" (216 mm)

Rough-in: Wall-hung

Seat-mounting holes: 6-1/8" (155 mm)

### Fixture Supply Requirements

Min static pressure: 20 psi (137.9 kPa)

Max static pressure: 80 psi (551.6 kPa)

### Notes

Install this product according to the installation instructions.

Toilet height is dependent on carrier settings.