

## FEATURES

- Solid brass construction for durability and reliability
- Pressure-balancing technology maintains water temperature within +/- 3 degrees Fahrenheit
- High-temperature limit stop allows you to preset a comfortable maximum temperature to eliminate scalding
- Complements the Pinna Paletta collection

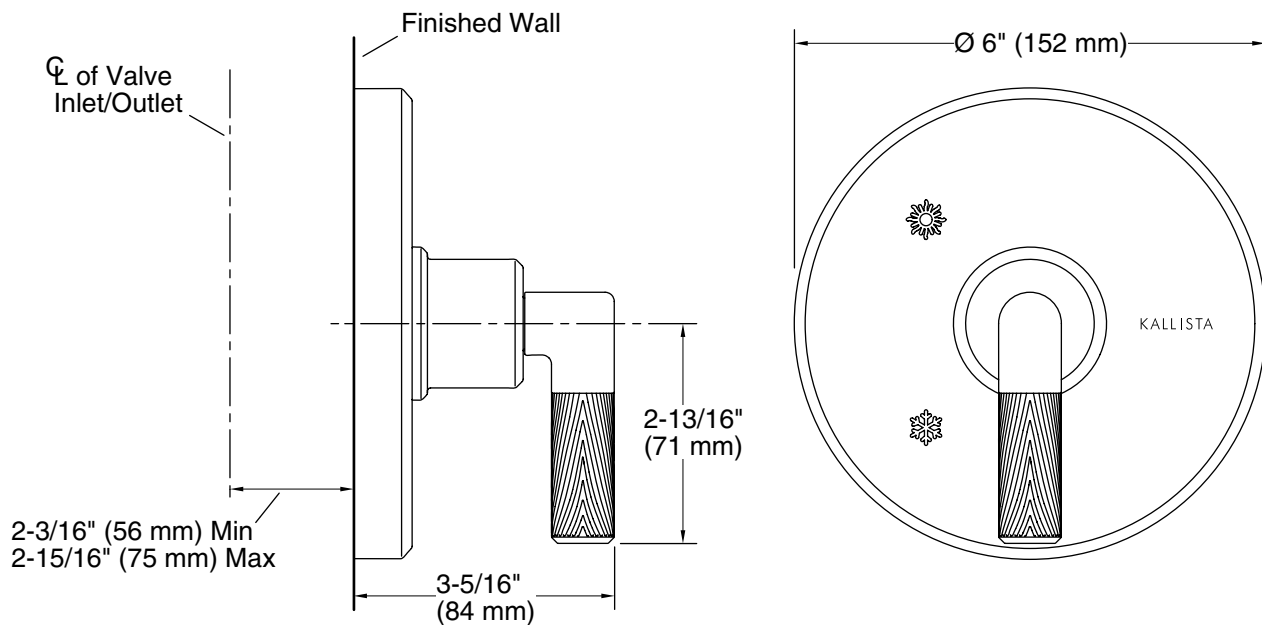
## CODES/STANDARDS APPLICABLE

Specified model meets or exceeds the following:

- ASME A112.18.1/CSA B125.1 (pending)
- ICC/ANSI A117.1 (pending)
- ADA\* (pending)
- OBC\* (pending)
- CSA B651\* (pending)

\* Compliant when installed to the specific requirement of this regulation

# P24915



## SPECIFIED MODEL

Model	Description	Finishes
P24915-CPH	Pinna Paletta Pressure Balance Valve Trim, w/Polished Chrome Accented Lever Handle	<input type="checkbox"/> CP Polished Chrome
P24915-AD	Pinna Paletta Pressure Balance Valve Trim, w/Nickel Silver Accented Lever Handle	<input type="checkbox"/> AD Nickel Silver
P24915-ADW	Pinna Paletta Pressure Balance Valve Trim, w/Antique Nickel Accented Lever Handle	<input type="checkbox"/> AD Nickel Silver
P24915-ABW	Pinna Paletta Pressure Balance Valve Trim, w/Antique American Bronze Accented Lever Handle	<input type="checkbox"/> BZ Antique Bronze
P24915-ULB	Pinna Paletta Pressure Balance Valve Trim, w/Unlacquered Brass Accented Lever Handle	<input type="checkbox"/> ULB Unlacquered Brass
Required Rough-In (1 required)		
P19310-00	Pressure Balance Rough-in	<input type="checkbox"/> NA
P19310-US	Pressure Balance Valve, with stops - PEX inlet (cold expansion)	<input type="checkbox"/> NA
P19310-WS	Pressure Balance Rough-in with Stops	<input type="checkbox"/> NA
P29500-00	Pressure Balance Rough-in & Thermostatic Cartridge	<input type="checkbox"/> NA
P29500-WS	Pressure Balance Rough-in & Thermostatic Cartridge with Stops	<input type="checkbox"/> NA

We reserve the right to make revisions without notice in the design of products or in packaging unless this right has specifically been waived at the time the order is accepted.