

KALLISTA®

Perfect 60" x 32" Bathtub

P50047

FEATURES

- Durable acrylic construction
- Integrated lumbar allows for a deep, relaxing soak
- Drop-in or custom undermount version
- Increased floor length of 46" (1168 mm) gives the customer additional bathing room
- Coordinates with multiple Kallista collections

CODES/STANDARDS APPLICABLE

Specified model meets or exceeds the following:

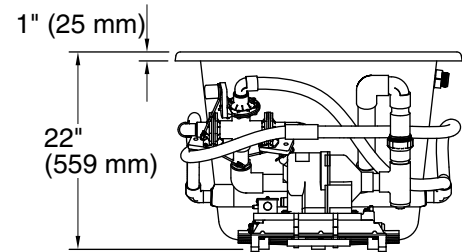
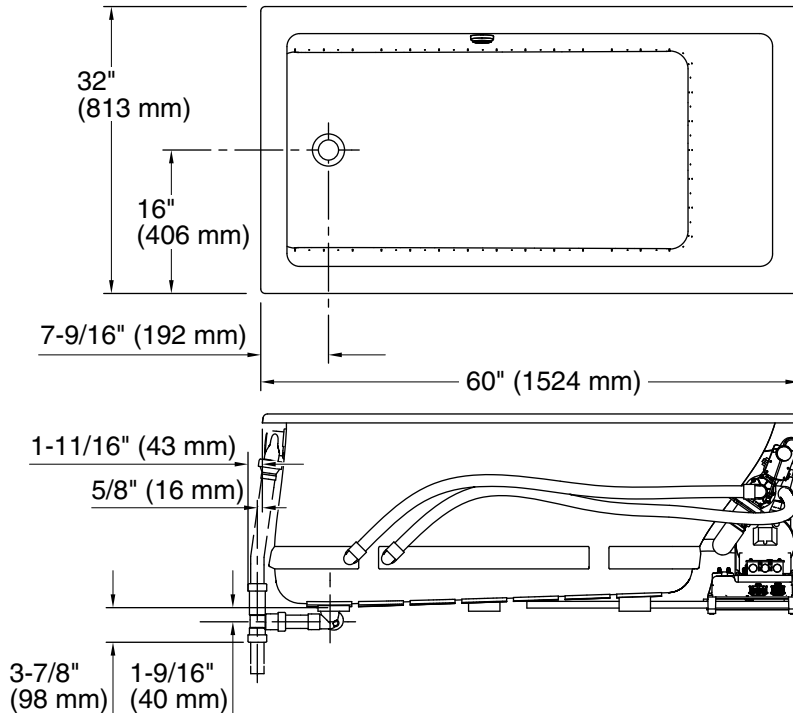
- CSA B45.5/IAPMO Z124
- ASME A112.19.7/CSA B45.10 (-G5 Model)
- UL 1795 (-G5 Model)
- ASTM E162
- ASTM E662
- EPA TSCA Title VI
- CARB P2

ROUGHING-IN NOTES

No change in measurements if connected with recommended drains listed.		
Minimum Access Panel:		
Blower/Control	34" (864 mm) W x 15" (381 mm) H Max	Required
Faucet Area		Recommended
Drop-in Cutout	59-1/2" (1511 mm) x 31-1/2" (800 mm)	
Floor support under bath must provide for a minimum of 55 lbs/square foot (269 kg/square meter) loading.		
Hot water supply should be 70% of capacity or greater. Installations will vary.		

REQUIRED ELECTRICAL SERVICE

Dedicated circuit required, protected with Class A Ground-Fault Circuit-Interrupter (GFCI) or Residual Current Device (RCD):	
Blower Motor/Control	220-240 V, 15 A, 50/60 Hz



PRODUCT INFORMATION

Fixture*:	Top Area	Inside Area	Weight
Bathing Well	54-1/8" (1375 mm) x 25-15/16" (659 mm)	45-13/16" (1164 mm) x 24-3/4" (629 mm)	75 lbs (34 kg) (-00) 100 lbs (45.4 kg) (-G5)

PRODUCT INFORMATION (CONT.)

	Water Depth	Capacity	
To Overflow	16-1/4" (413 mm)	75 gal (283.9 L)	
*Approximate measurements for comparison only.			
Heater	Voltage	Frequency	Amperage
300 W	220-240	50/60 Hz	3A

SPECIFIED MODEL

Model	Description	Finishes			
P50047-00	Perfect 60" x 32" Bathtub	<input type="checkbox"/> 0 Stucco White			
P50047-G5	Perfect 60" x 32" Airbath	<input type="checkbox"/> 0 Stucco White			
Recommended Accessories					
P21587-00	Kallista Cable Drain	<input type="checkbox"/> NA			
P21582-00	Kallista Cable Drain Trim Kit	<input type="checkbox"/> CP Polished Chrome	<input type="checkbox"/> AD Nickel Silver	<input type="checkbox"/> AG Brushed Nickel	<input type="checkbox"/> LB Bronze
		<input type="checkbox"/> GN Gunmetal	<input type="checkbox"/> W7 Black Nickel	<input type="checkbox"/> BZ Antique Bronze	
P21586-00	Perfect Flip Drain Assembly	<input type="checkbox"/> NA			
P21584-00	Perfect Traditional Trim Kit for Flip Drain	<input type="checkbox"/> CP Polished Chrome	<input type="checkbox"/> AD Nickel Silver	<input type="checkbox"/> AG Brushed Nickel	<input type="checkbox"/> BZ Antique Bronze
		<input type="checkbox"/> GN Gunmetal	<input type="checkbox"/> W7 Black Nickel		
P21585-00	Perfect Modern Trim Kit for Flip Drain	<input type="checkbox"/> CP Polished Chrome	<input type="checkbox"/> AD Nickel Silver	<input type="checkbox"/> AG Brushed Nickel	<input type="checkbox"/> LB Bronze
		<input type="checkbox"/> GN Gunmetal	<input type="checkbox"/> W7 Black Nickel		
Optional Accessories					
K-1179	Vinyl Tile-In Bead Installation Kit	<input type="checkbox"/> NA			
P50048-00	Undermount Kit	<input type="checkbox"/> NA			

We reserve the right to make revisions without notice in the design of products or in packaging unless this right has specifically been waived at the time the order is accepted.