

Assembly Instructions: 8981-5 (Echelon)

IMPORTANT:

- ALL INSTALLATION WORK SHOULD BE DONE BY ACCREDITED PROFESSIONAL.
- SHUT OFF POWER SUPPLY AT FUSE OR CIRCUIT BREAKER!
- USE ONLY THE SPECIFIED BULBS. DO NOT EXCEED THE MAXIMUM WATTAGE!

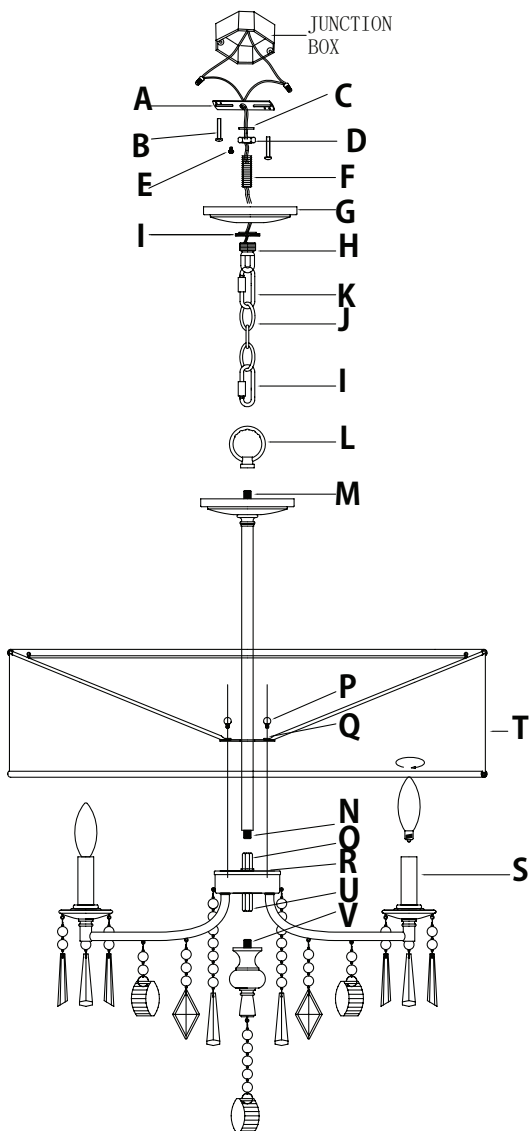
For Customer Service, please contact the place of purchase.

PREPARING FOR INSTALLATION

Remove all of the contents from the carton. See the important notes above. Shut off the power at the circuit breaker and completely remove the old fixture from the ceiling, including the old mounting strap.

1. Take the mounting strap assembly from the parts bag. One end of nipple (F) should be attached to mounting strap (A) with washer (C) and hex nut (D) in place. Canopy loop (H) is attached to the other. Securely attach mounting strap (A) to the junction box using mounting screws (B) and a screwdriver.

2. Unscrew canopy loop collar (I) from canopy loop (H). Pass canopy (G) over the mounted canopy loop to test the height. Approximately half of the canopy loop's exterior threads should be exposed, and the canopy loop collar should fit snugly onto the canopy loop. Remove canopy (G) and adjust the height of nipple (F) and canopy loop (H) until the desired height is reached.



ASSEMBLING THE FIXTURE

3. Place shade (T) over the fixture body. Center rod (N) is on the fixture's wires, but not connected to the fixture. Screw center rod (N) through the center of spider (Q) of shade (T) and into post (O).
4. Secure the shade to lamp body (R) by threading deco screws (P) into lamp body (R).
5. Measure to determine the correct number of chain links needed for proper hanging height. If necessary, use a pair of pliers to open and remove any excess chain. Attach one chain connector (K) to each end of chain (J). Use one of chain connectors (K) to attach chain (J) to top loop (L) and close the chain connector. Feed the fixture wires up through the chain (every three links or so), pulling the wires until taut. Slide canopy loop collar (H) and canopy (G) onto the chain/wire. Use the free chain connector (K) to attach chain (J) to canopy loop (H).
6. Screw decorative finial (V) into post (U).

CONNECTING THE WIRES

7. Have an assistant support the weight of the fixture. Refer to the wiring diagram and attach the fixture's wires to the power supply wires from the junction box. Connect Hot to Hot, Neutral to Neutral, and Ground to Ground. Twist the ends of the wire pairs together, and then twist on a wire connector. Make sure all twists are in the same direction. If there is no house ground wire coming from the junction box, locate ground screw (E) on the mounting bracket/mounting strap and wrap the fixture's ground wire around the ground screw. Use a screwdriver to tighten the top of ground screw (E) onto the wires and into the mounting bracket/mounting strap. Tuck the wires into the junction box.

How to Identify the Fixture's Wires			House Wires	
Hot	Neutral	Ground	Hot	Neutral
Smooth	Ribbed	Bare Metal, Green, or Green Inner Thread	Hot	Neutral
Black	White	Thread	Ground	
Black Inner Thread	White Inner Thread			

CLEANING TIPS

Treat the fixture gently! Regular cleaning will reduce the need for deep cleaning. For regular cleaning, turn off the light and wipe down the fixture with a clean lint-free cotton or microfiber cloth. Never spray cleaner directly onto the fixture.

Assembly Instructions: 8981-5 (Echelon)

IMPORTANT:

- ALL INSTALLATION WORK SHOULD BE DONE BY ACCREDITED PROFESSIONAL.
- SHUT OFF POWER SUPPLY AT FUSE OR CIRCUIT BREAKER!
- USE ONLY THE SPECIFIED BULBS. DO NOT EXCEED THE MAXIMUM WATTAGE!

For Customer Service, please contact the place of purchase.

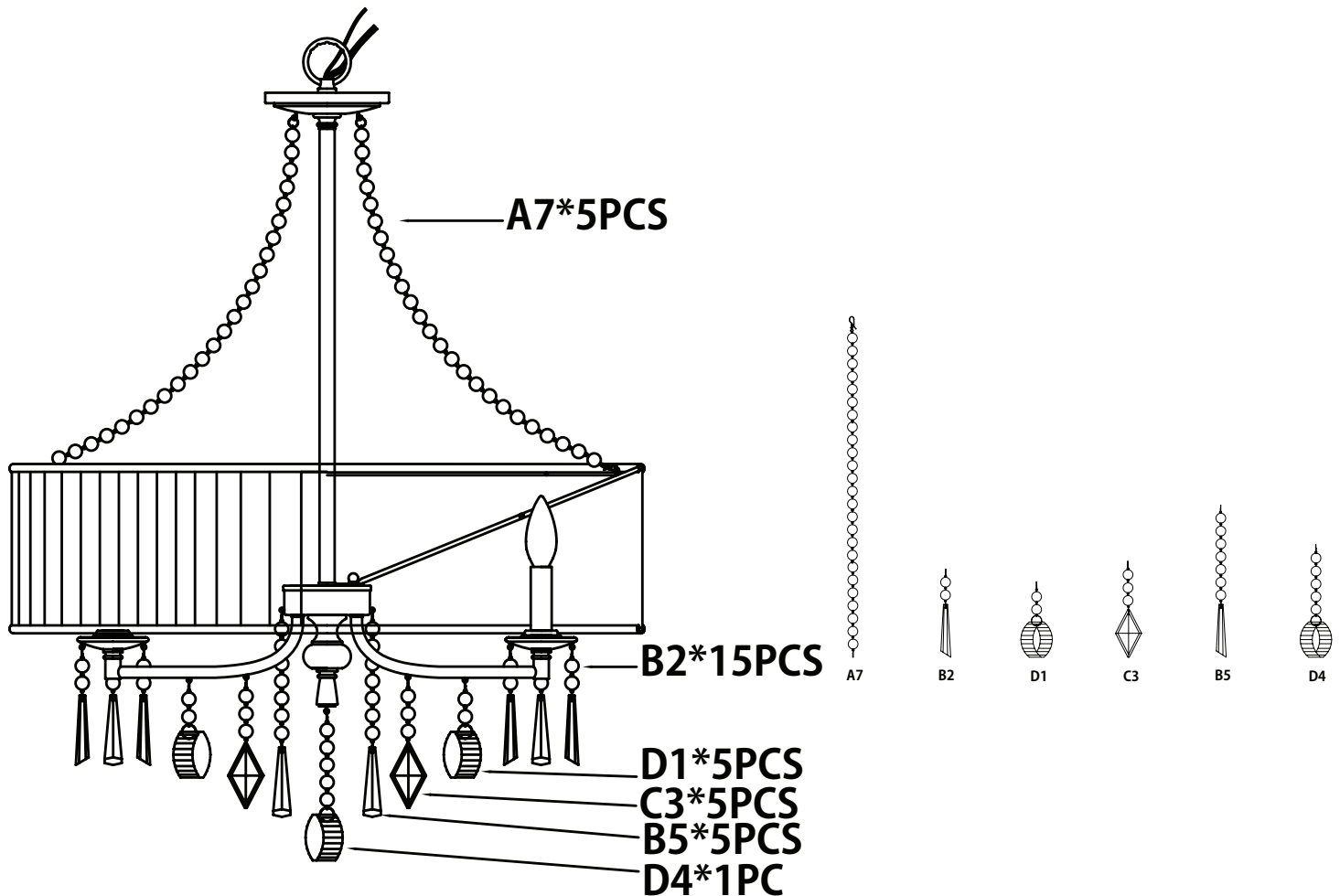
FINISHING THE INSTALLATION

8. Raise canopy (G) up to the ceiling and slide canopy loop collar (I) up beneath the canopy. Tightly thread canopy loop collar (I) onto canopy loop (H) to secure canopy (G) in place.

9. Install light bulbs (not provided) in accordance with the fixture's specifications. Do not exceed the maximum recommended wattage.

10. Use the diagram below to hang the crystals.

Your installation is complete. Turn on the power and test the fixture.



CLEANING TIPS

Treat the fixture gently! Regular cleaning will reduce the need for deep cleaning. For regular cleaning, turn off the light and wipe down the fixture with a clean lint-free cotton or microfiber cloth. Never spray cleaner directly onto the fixture.