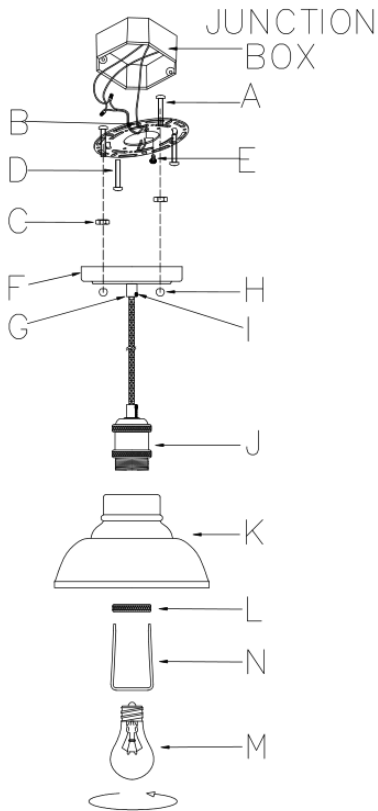


Assembly Instructions: 0305-S

IMPORTANT:

- ALL INSTALLATION WORK SHOULD BE DONE BY ACCREDITED PROFESSIONAL.
- SHUT OFF POWER SUPPLY AT FUSE OR CIRCUIT BREAKER!
- USE ONLY THE SPECIFIED BULBS. DO NOT EXCEED THE MAXIMUM WATTAGE!

For Customer Service, contact the place of purchase.



PREPARING FOR INSTALLATION

Carefully remove all of the contents from the carton. See the important notes above. Shut off the power at the circuit breaker and completely remove the old fixture from the ceiling, including the old mounting strap.

From the parts bag remove the mounting strap assembly. The mounting strap (B) contains threaded holes. Two mounting screws (A) should be attached to the mounting strap (B). You may need to tighten the nuts (C) that hold these screws in place. Place mounting strap (B) over the junction box so that the mounting screws (A) are vertical, and in alignment with the hole locations on the fixture's canopy (F). Secure the mounting strap (B) to the junction box with mounting screws (D) and a screwdriver. Tighten the screws securely.

ASSEMBLING THE FIXTURE

For adjusting the height of fixture, this fixture has an adjustable woven cord. By measuring, decide the desired overall height of your fixture and determine how much of the cord is needed to achieve the desired height. Add at least 8 to 10 inches to your desired length before trimming the cord.

How to Identify the Fixture's Wires		
Hot	Neutral	Ground
Smooth	Ribbed	Bare Metal, Green, or Green Inner Thread
Black	White	
Black Inner Thread	White Inner Thread	

CONNECTING THE WIRE

Have an assistant support the fixture's weight while completing the wiring. Attach the fixture's wires to the power supply wires from the junction box. Connect black to smooth/black/transparent (L) wire; white to ribbed/white/transparent (N) wire; ground to ground (green or copper). Twist the ends of the wire pairs together, and then twist on wire connector caps. Make sure all twists are in the same direction. If there is no ground wire (green or copper) from the junction box, locate ground screw on mounting strap (B) and wrap the fixture ground wire around the green ground screw. Use a screwdriver to secure the ground screw onto the mounting bracket/mounting strap. Tuck all wires neatly into the junction box.

FINISHING THE INSTALLATION

Push the canopy (F) up to the ceiling and tightly thread decorative nuts (H) onto the exposed threads of mounting screws (A).

Secure the shade (K) in place with the socket ring (L) onto the caps on the socket (J).

Insert the tool (N) into the socket rings (L) and finish tightening to secure shade in place.

Twist the light bulb (M) (not provided) into socket (J) in accordance with the fixture's specifications. Do not exceed the maximum wattage.

Your installation is now complete. Turn the power on and test the fixture.

CLEANING TIPS

Treat the fixture gently! Regular cleaning will reduce the need for deep cleaning. For regular cleaning, turn off the light and wipe down the fixture with a clean lint-free cotton or microfiber cloth. Never spray cleaner directly onto the fixture.