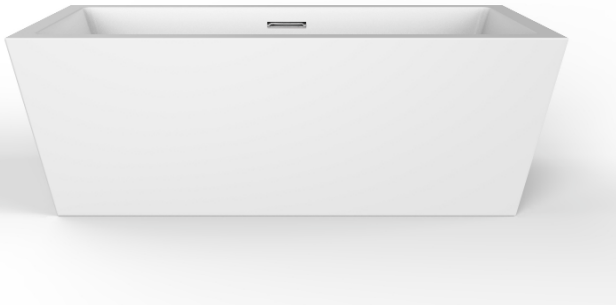


# 67" STANNARD ACRYLIC FREESTANDING RECTANGULAR TUB

Cat. No.  
ATFRECN67EIG-XX



L: 67"  
W: 31-1/2"  
H: 23-3/4"

Water depth: 19" to top of tub  
Water depth: 15-3/4" to overflow  
Center drain to back of rim: 15-3/4"

## Features:

- ▶ Acrylic construction for lighter weight
- ▶ Interior and exterior walls acrylic sheets
- ▶ Overflow slot with integrated drain
- ▶ Drain included
- ▶ Drain and overflow covers included (available in 6 finishes)
- ▶ 3-1/4" Rim
- ▶ No faucet holes
- ▶ Includes built-in adjusters
- ▶ Tub is thoroughly inspected before shipment
- ▶ Option to add foam insulation between tub walls available



## Finishes:

- BN** Brushed Nickel
- CP** Polished Brass
- ORB** Oil Rubbed Bronze
- PB** Polished Brass
- PN** Polished Nickel
- WT** White

**Custom Colors Available** (inside of tub is always white enamel):  
Painted bathtubs are considered "special order" and are not returnable  
\$160 Bisque or Black \$250 Designer Color

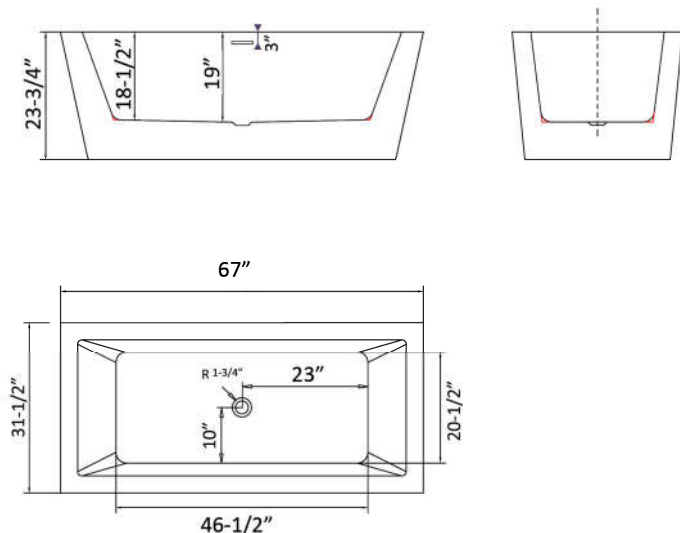
The following is recommended for  
ATFRECN67E tubs:

- Freestanding filler : part #7932, 7952 or 7918  
(Does not need bath supplies)



For easier installation we  
recommend use of 5598-ITD  
Easy Install Rough In Kit

Gallon Capacity: 59  
Shipping Weight: 160 lbs.  
Empty Weight: 100lbs.  
Filled Weight: 644 lbs.



Dimensions of fixture are nominal and specifications subject to change without notice.

08/27/2019

P 847•244•1234

www.barclayproducts.com