

# VARIANT 16-1/2" ROUND DROP-IN BASIN

Cat.No.  
5-651WH



Faucet not included

Basin diameter: 16-1/2"  
H: 4-3/4"  
Flange: 2-1/2"

## Interior Dimensions:

Basin Interior: 16"W x 12-1/8"D  
Basin Depth: 3-1/2"  
Center drain to rim: 8-1/4"

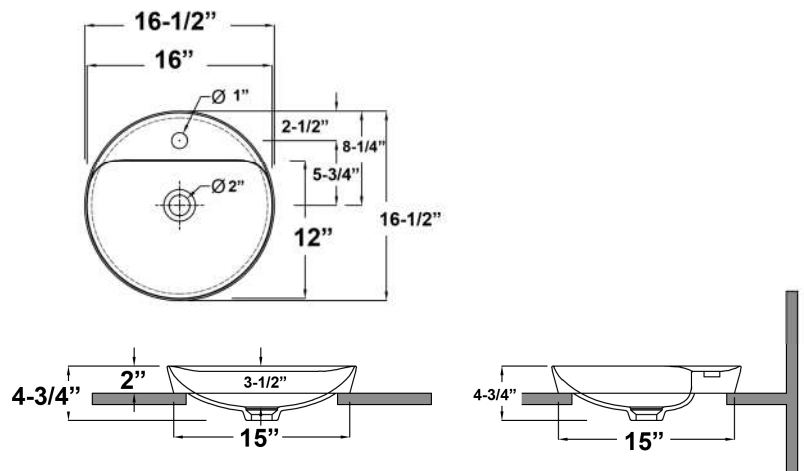
## Features:

- ▶ For drop-In installation
- ▶ Made of Vitreous China
- ▶ 1 faucet hole
- ▶ No overflow
- ▶ Traditional style
- ▶ Drain not provided
- ▶ Can be used with #5601 grid drain or #57100 pop-up drain (Not included)

## Colors:

WH White

**Compliance Certification**  
Meets or exceeds the following specifications: ASME A112.19.2 2018 and CSA B45.1-18 for ceramic plumbing fixtures.



Dimensions of fixture are nominal and may vary within the range of tolerances established by ASME Standard A112.19.2.2018 Dimensions and specifications subject to change without notice.