

3636APANB – EVERYDAY SHOWER PANS

36 x 36 x 6 inches



Shown with optional brass drain assembly.

FEATURES

- Shower pan
- Slip-resistant, textured bottom
- Extended tiling flange (3T)
- Raised front profile
- Center drain
- Premium cast acrylic surface
- Lifetime limited warranty

OPTIONS

- Brass drain assembly and cover

AQUATIC ADVANTAGE

- National distribution
- 7 manufacturing facilities
- Private fleet
- Centralized customer service
- Field support

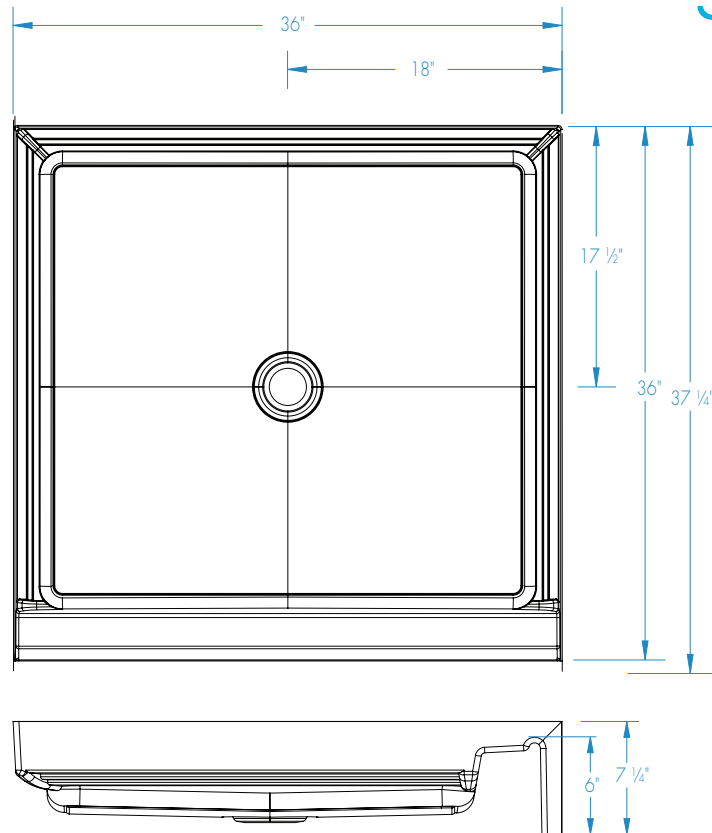
COLOR OPTIONS

Stock	Upgraded
White	Biscuit



3636APANB

36 x 36 x 6 inches



FEATURES lbs Dimensional Tolerance $\pm \frac{3}{8}$ ". Dimensions needed for site preparation should be measured from the unit. Aquatic assumes no responsibility for preparatory work.

Model #	Material	Drain	Net Wt.	Pkg. Wt.
Shower Pan #3636APANB	Cast Acrylic	Center	37	42

DIMENSIONS

Specifications	inches
Width: Overall / Net	37 1/4
Depth: Overall / Net	37 1/4
Height: Overall / Net	7 1/4 / 6
Enclosure Opening	-
Skirt Height	6
Drain Rough-In (from Back Wall)	17 1/2
Drain Rough-In (from Side Wall)	18
Drain: Diameter / Clearance	3 1/4 / 3/4

FRAMING DIMENSIONS inches

Type	D Depth	W Width	H Height	A	B	C
Alcove	37 1/4	37 1/4	-	6	18	17 1/2

